



GENERAL DESCRIPTION 功能叙述

The M80002-4 is a CMOS ASIC designed for XMAS light controller use.

The M80002-4 blinks the 4 strings of lights.

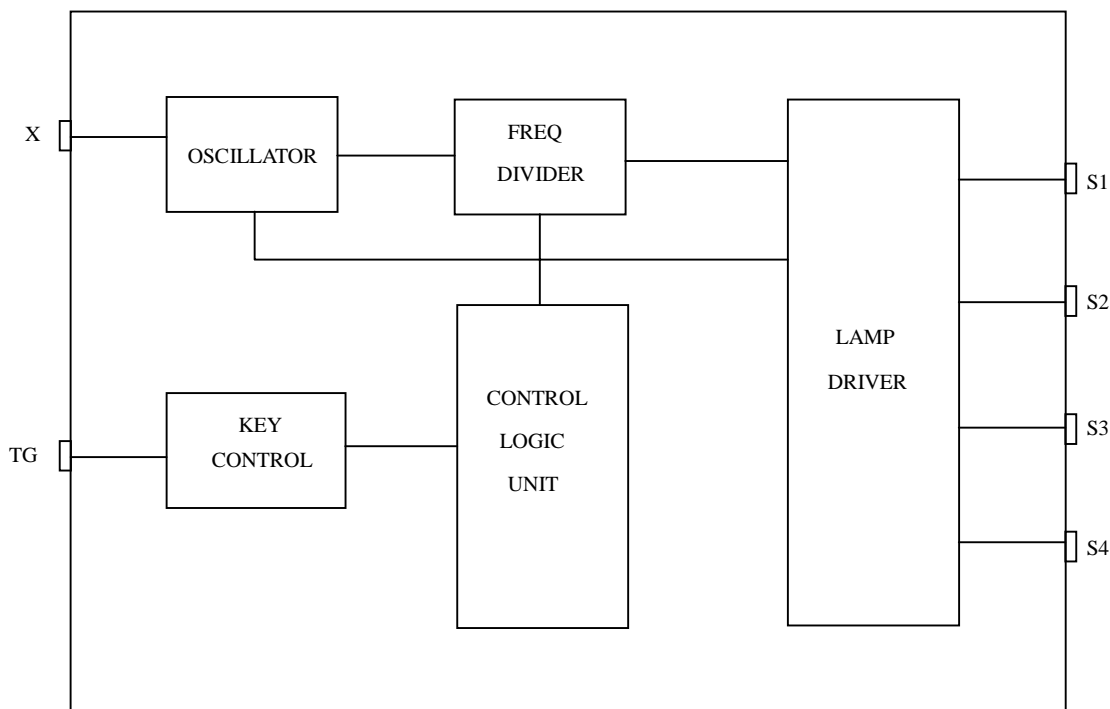
FEATURES 产品特长

- Power supply range : 2.5~4.5V
- Direct 4 SCR outputs
- 8 sections of flash rate

APPLICATIONS 产品应用

- XMAS light controller, any AC controlled device etc..

BLOCK DIAGRAM 功能方块图



*All specs and applications shown above subject to change without prior notice.

(以上电路及规格仅供参考,本公司得径行修正)



ABSOLUTE MAXIMUM RATING

(TA=25°C)

Parameter	Rating	Unit
Supply Voltage	-0.3 to 5.0	V
Input Voltage	-0.2~V _{DD} +0.2	V
Operating Temperature	0 to 60	°C
Storage Temperature	-25 to 125	°C

ELECTRICAL CHARACTERISTICS

CHARACTERISTICS	Sym.	Min.	Typ.	Max.	Unit	CONDITIONS
Operating Voltage	V _{DD}	—	3.6	5	V	
Operating Current	I _{OP}	—	—	—	μ A	No load
Quiescent Current	I _{SB}	—	0.2	0.5	mA	@V _{DS} =1.2V
S1~S4 Drive Current	I _{OH}	100	—	—	μ A	
Switch Input Current	I _{IL}	—	—	30	μ A	
Input Voltage	V _{IH}	V _{DD} -0.2	V _{DD}	V _{DD}	V	
	V _{IL}	V _{SS}	V _{SS}	V _{SS} +0.2		
Oscillator Frequency	F _{osc}	—	150	—	KHz	External ± 30%

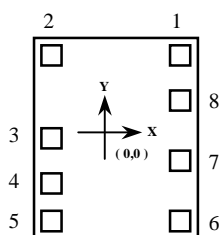
PIN DESCRIPTION

NO.	NAME	DESCRIPTION
1	VSS	NEGATIVE POWER SUPPLY
2	X	OSCILLATOR INPUT PIN
3	TG	SPEED SELECT PIN
4	VDD	POSITIVE POWER SUPPLY
5	S1	SCR1 DRIVER PIN
6	S2	SCR2 DRIVER PIN
7	S3	SCR3 DRIVER PIN
8	S4	SCR4 DRIVER PIN



XMAS LIGHT CONTROL
M80002-4

PAD ASSIGNMENT & POSITION



No.	NAME	X	Y
1	S4	312	460
2	VSS	-315	460
3	X	-316	-42
4	TG	-316	-242
5	VDD	-316	-460
6	S1	312	-460
7	S2	312	-120
8	S3	312	205

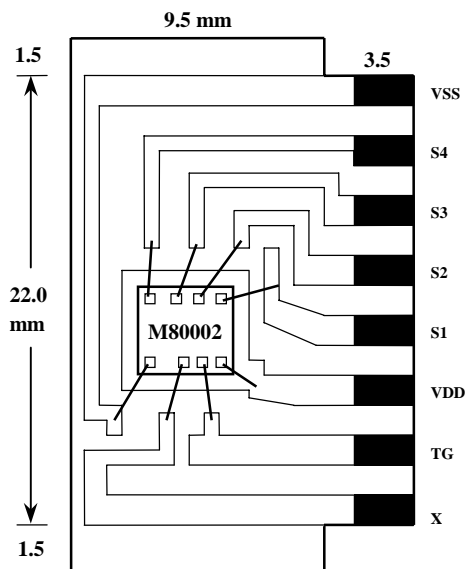
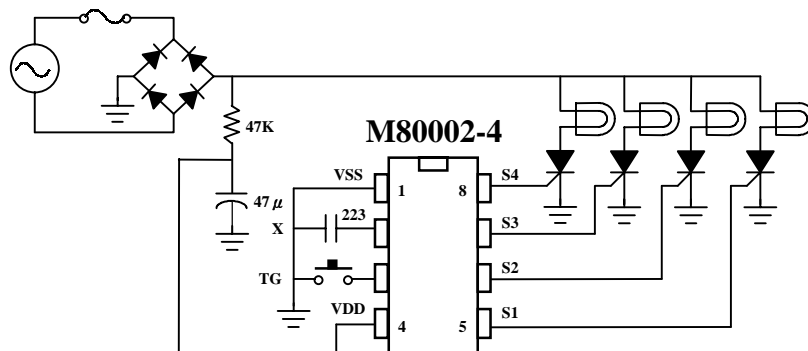
* CHIP SIZE ~ 1.1x1.4mm²

* IC substrate should connected to VDD in PCB (PCB 上 IC 底座必须接 VDD)



4 STRINGS
XMAS LIGHT CONTROL
圣诞灯串控制 IC

APPLICATION DIAGRAM 参考电路图



PIN 宽 : 1.27 mm
PIN 距 : 1.27 mm
板厚度 : 1.6 mm