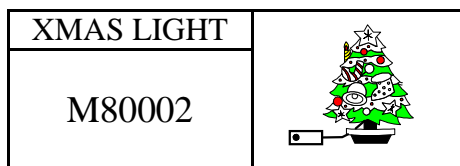




3/4 STRINGS
XMAS LIGHT CONTROL

(PSG834 同)
圣诞灯串控制 IC



FEATURES 功能叙述

- TG: flash rates select.

MODE	FLASH RATE (Hz)
1	0.25
2	0.5
3	1
4	2
5	4
6	8
7	16
8	全亮

APPLICATION 产品应用

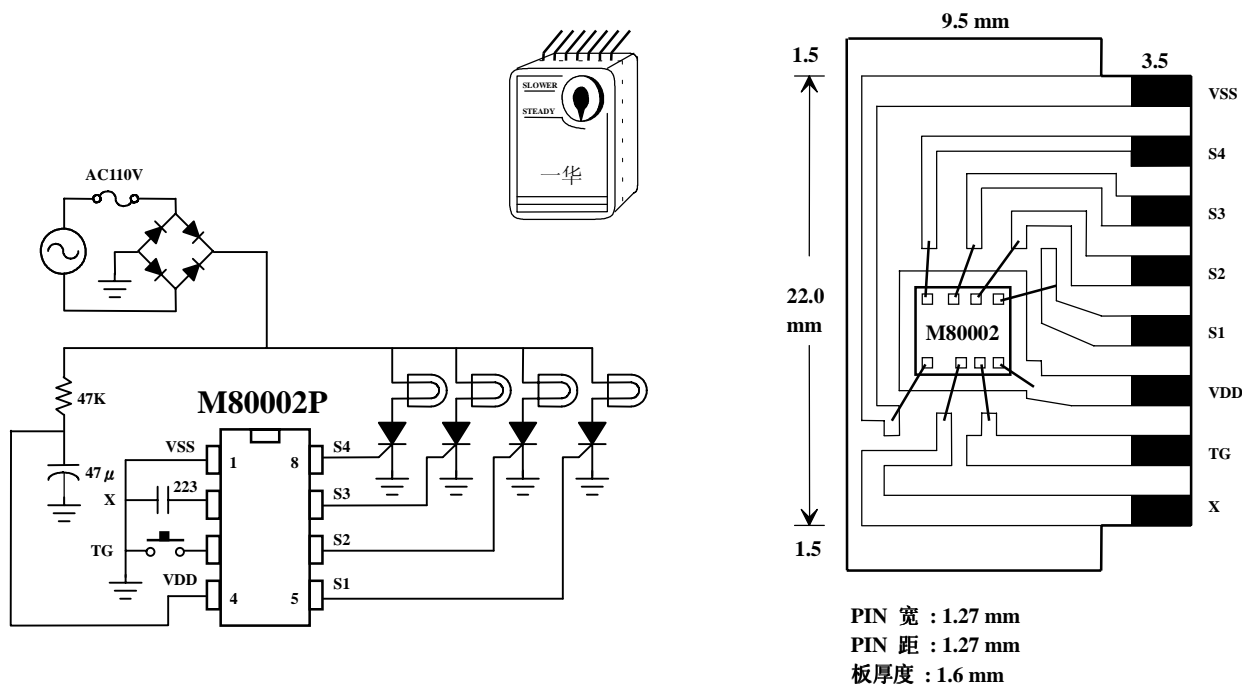
- Xmas light controller, any AC controls toys.

ELECTRICAL CHARACTERISTICS 电气规格

(@V_{DD}=3.6V unless otherwise specified)

Characteristics	Sym.	Min.	Typ.	Max.	Unit	REMARKS
工作电压 Operating Voltage	V _{DD}	—	3.6	5	V	
工作电流 Operating Current	I _{OP}	—	—	2	mA	No load
静态电流 Quiescent Current	I _{SB}	—	—	—	μ A	
推动电流 Driving Current	I _{OH}	—	0.2	—	mA	@ V _{DS} =1V
振荡频率 Oscillator Frequency	F _{OSC}	—	150	—	KHz	External ±30%
工作温度 Operating Temperature	Temp.	0	25	60	°C	

APPLICATION DIAGRAM 参考电路图



* IC CHIP ~ 1.1x1.5 mm², substrate to VDD.

* All specs and applications shown above subject to change without prior notice.

(以上电路及规格仅供参考,本公司得径行修正)