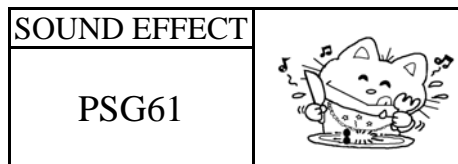




4 KEYS  
BI-BI CALL

哔哔扣声



### FEATURES 功能叙述

- 4 programmable sound output.
- LED blinking output.

KEY	SOUND	TIME
K1	BI BI BI-	2
K2	---BI	6
K3	LED FLASH	
K4	RING TONE	

### APPLICATION 产品应用

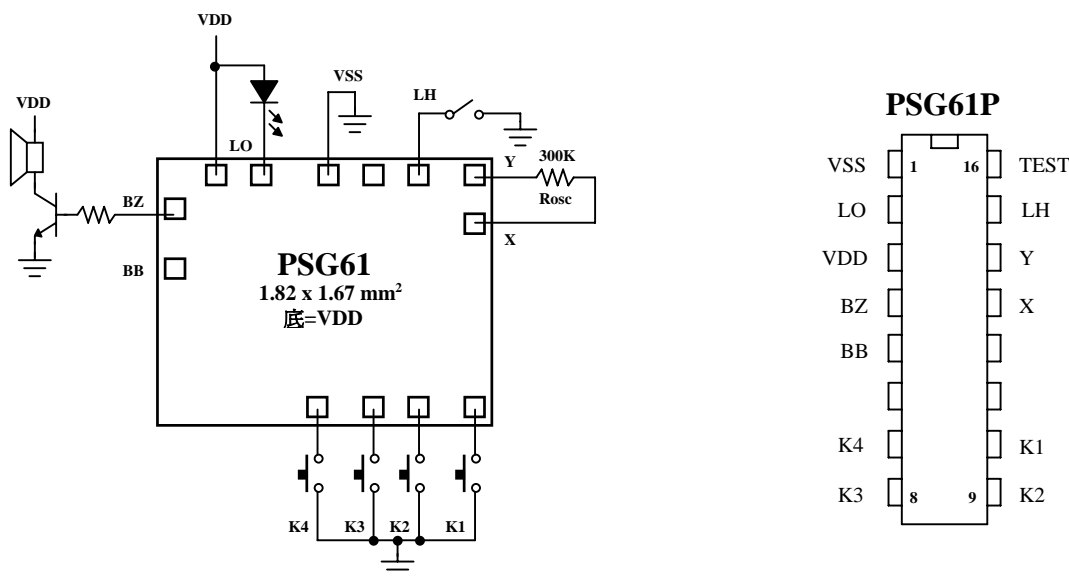
- Toys, Blink game, BI-BI call game etc..

### ELECTRICAL CHARACTERISTICS 电气规格

( @  $V_{DD}=3V$  unless otherwise specified )

Characteristics	Sym.	Min.	Typ.	Max.	Unit	REMARKS
工作电压 Operating Voltage	$V_{DD}$	—	3	3.5	V	
工作电流 Operating Current	$I_{OP}$	—	0.1	0.5	mA	No load
静态电流 Quiescent Current	$I_{SB}$	—	1	5	$\mu A$	
推动电流 BZ Driving Current	$I_O$	1	—	—	mA	@ $V_{DS}=1V$
推动电流 LO Driving Current	$I_{OL}$	6	—	—	mA	@ $V_{DS}=1.2V$
振荡频率 Oscillator Frequency	$F_{OSC}$	—	64	—	KHz	External $\pm 30\%$ $R_{osc}=270K \Omega$
工作温度 Operating Temperature	Temp.	0	25	60	$^{\circ}C$	

### APPLICATION DIAGRAM 参考电路图



\*All specs and applications shown above subject to change without prior notice.

( 以上电路及规格仅供参考,本公司得径行修正 )



4 KEYS  
BI-BI CALL

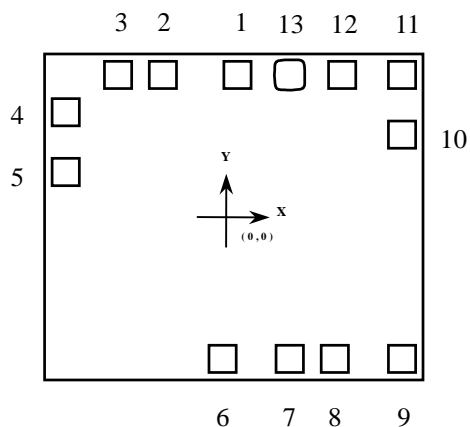
哔哔扣声

SOUND EFFECT

PSG61



**PAD ASSIGNMENT & POSITION**



UNIT : um

No.	NAME	X	Y
1	VSS	26	626
2	LED	-329	626
3	VDD	-543	626
4	BZ	-762	449
5	BB	-762	149
6	K4	-25	-626
7	K3	260	-626
8	K2	470	-626
9	K1	755	-626
10	X	762	370
11	Y	762	626
12	LH	492	626
13	TEST	259.5	626

\* CHIP SIZE ~ 1.828 x 1.674 mm<sup>2</sup>

\* IC substrate should be connected to VDD in PCB (PCB 上 IC 必须接 VDD)

\*All specs and applications shown above subject to change without prior notice.

( 以上电路及规格仅供参考,本公司得径行修正 )