

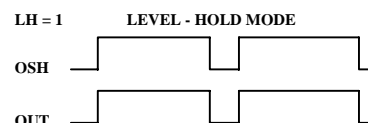
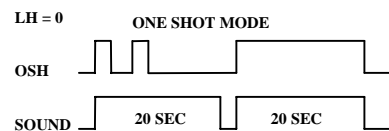
## GHOST SOUND

## 鬼叫声 IC

### FEATURES 功能叙述

- Built-in oscillator.
- Auto-power-off.
- ONE SHOT (LH=0)
- LEVEL-HOLD (LH=1)

P/N	TIME	TG
M51A	16~20 SEC	OSH/LH
M51A-1	8~10 SEC	OSH



### APPLICATION 产品应用

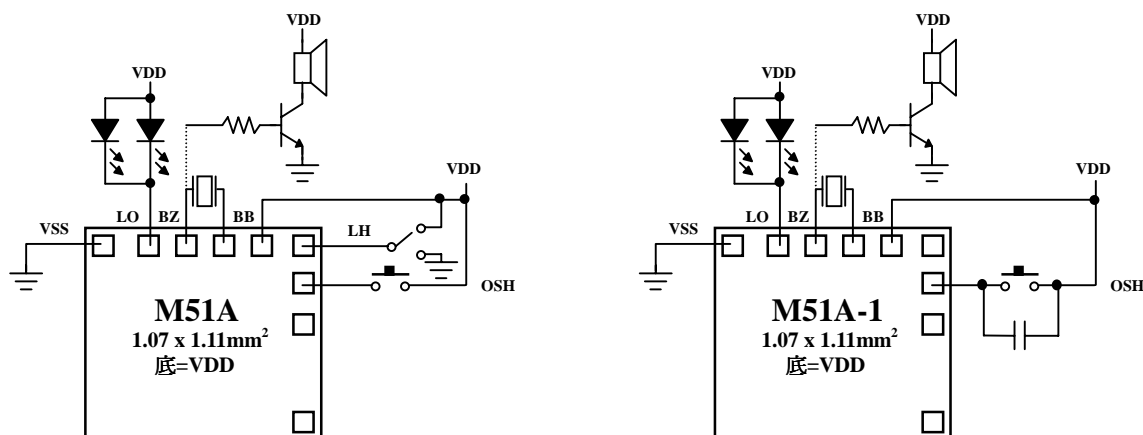
- Toys, Key Finder, Alarm system, Musical instrument, TV/Arcade game.

### ELECTRICAL CHARACTERISTICS 电气规格

( @ V<sub>DD</sub>=3V unless otherwise specified )

Characteristics	Sym.	Min.	Typ.	Max.	Unit	REMARKS
工作电压 Operating Voltage	V <sub>DD</sub>	—	3	3.5	V	
工作电流 Operating Current	I <sub>OP</sub>	—	0.1	0.5	mA	No load
静态电流 Quiescent Current	I <sub>SB</sub>	—	1	5	uA	
推动电流 BZ Driving Current	I <sub>O</sub>	1	—	—	mA	@ V <sub>DS</sub> =1V
推动电流 LO Driving Current	I <sub>OL</sub>	2	—	—	mA	@ V <sub>DS</sub> =1.2V
振荡频率 Oscillator Frequency	F <sub>OSC</sub>	—	100	—	KHz	±30% TOL.
工作温度 Operating Temperature	Temp.	0	25	60	°C	

### APPLICATION DIAGRAM 参考电路图



\*All specs and applications shown above subject to change without prior notice.

( 以上电路及规格仅供参考,本公司得径行修正 )



SOUND EFFECT

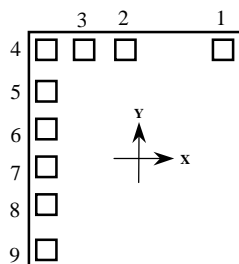
M51A/-1



GHOST SOUND

鬼叫声 IC

PAD ASSIGNMENT & POSITION



UNIT : um

No.	NAME	X	Y
1	T1	351	427
2	TIO	-62	429
3	OSH	-235	427
4	LH	-407	427
5	VDD	-407	238
6	BB	-407	81
7	BZ	-407	-77
8	LO	-407	-234
9	VSS	-407	-429

\* CHIP SIZE ~ 1.07 x 1.11 mm<sup>2</sup>

\* IC substrate should be connected to VDD in PCB (PCB 上 IC 必须接 VDD)

( 以上电路及规格仅供参考,本公司得径行修正 )