

MOBILE PHONE

大哥大专用 IC

FEATURES 功能叙述

- 8 different telephone sounds.
- Direct drive speaker or buzzer.
- Built-in oscillator.

SOUND	
K1	BEEP
K2	KEY TONE 1
K3	KEY TONE 2
K4	KEY TONE 3
K5	AUTO DIAL
K6	RING TONE
K7	BEEP 4 TIMES
K8	MELODY

APPLICATION 产品应用

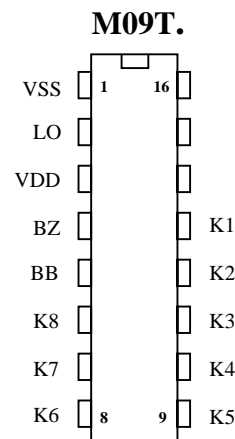
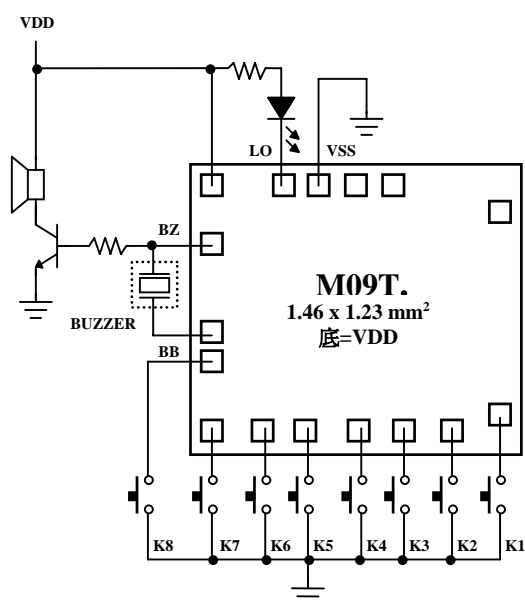
- Alarm system, Toys, Key chain, Musical instrument, TV/Arcade game.

ELECTRICAL CHARACTERISTICS 电气规格

(@V_{DD}=3V unless otherwise specified)

Characteristics	Sym.	Min.	Typ.	Max.	Unit	REMARKS
工作电压 Operating Voltage	V _{DD}	—	3	3.5	V	
工作电流 Operating Current	I _{OP}	—	0.1	0.5	mA	No load
静态电流 Quiescent Current	I _{SB}	—	1	5	μ A	
推动电流 BZ Driving Current	I _O	1	—	—	mA	@V _{DS} =1V
推动电流 LO Driving Current	I _{OL}	6	—	—	mA	@V _{DS} =1.2V
振荡频率 Oscillator Frequency	F _{OSC}	—	85	—	KHz	±30% TOL.
工作温度 Operating Temperature	Temp.	0	25	60	°C	

APPLICATION DIAGRAM 参考电路图



*All specs and applications shown above subject to change without prior notice.

(以上电路及规格仅供参考,本公司得径行修正)



SOUND EFFECT

M09T.

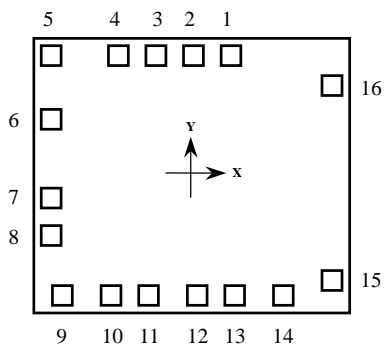


MOBILE PHONE

大哥大专用 IC

PAD ASSIGNMENT & POSITION

UNIT : um



No.	NAME	X	Y
1	TE	166.5	489
2	T2	12	489
3	VSS	-141	489
4	LED	-306.75	489
5	VDD	-607.5	489
6	BZ	-607.5	294
7	BB	-607.5	-57.75
8	K8	-607.5	-215.25
9	K7	-567.75	-489.75
10	K6	-346.5	-489.75
11	K5	-196.5	-489.75
12	K4	24.75	-489.75
13	K3	174.75	-489.75
14	K2	396	-489.75
15	K1	607.5	-418.5
16	T1	606.75	336

* CHIP SIZE ~ 1.46 x 1.23 mm²

* IC substrate should be connected to VDD in PCB (PCB 上 IC 必须接 VDD)