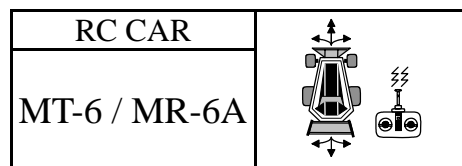


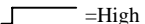
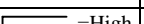
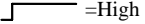
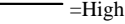
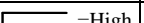
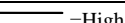
RC CAR
7 FUNCTIONS

7 功能遥控车



FEATURES 功能叙述

- 7 functions : F, B, TBO, L, R, TG1, TG2 .
- Built-in regulator.

Input condition	O/P condition		
	Forward	Backward	Turbo
Forward	 =High	Low	Low
Backward	Low	 =High	Low
Forward+Turbo	 =High	Low	 =High
Backward+Turbo	Low	 =High	 =High

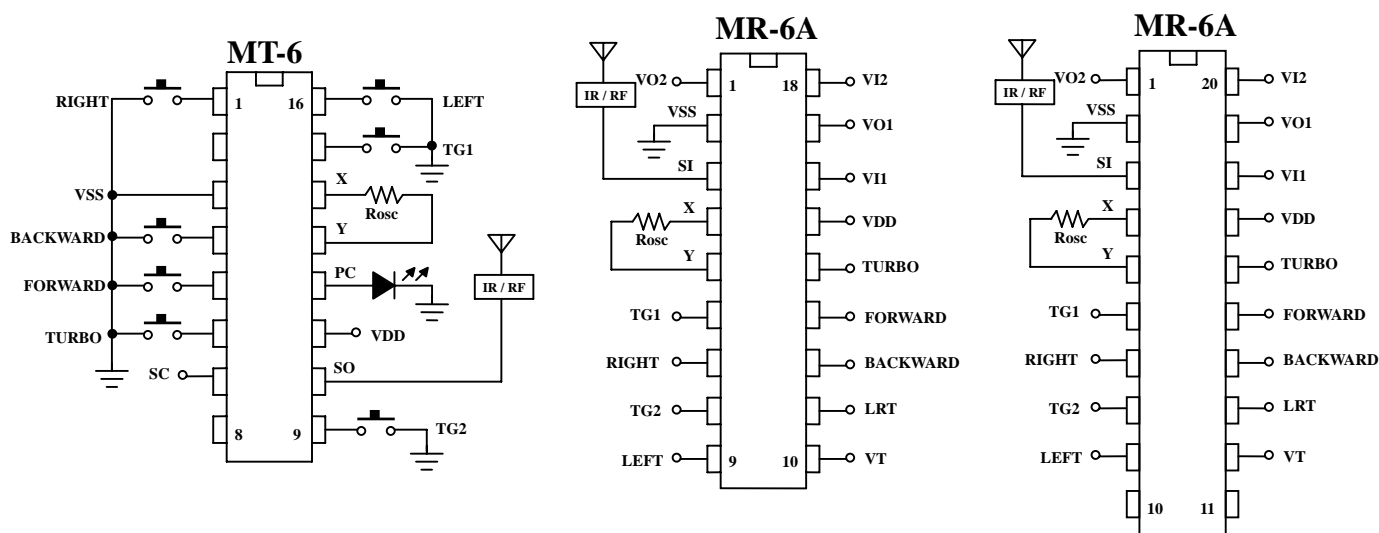
APPLICATION 产品应用

- RC car etc..

ELECTRICAL CHARACTERISTICS 电气规格

Characteristics	Sym.	Min.	Typ.	Max.	Unit	REMARKS
工作电压 Operating Voltage	V_{DD}	2.5	9	12	V	MT-6
工作电压 Operating Voltage	V_{DD}	2.5	4	5	V	MR-6A
工作电流 Operating Current	I_{OP}	—	—	3	mA	No load
静态电流 Quiescent Current	I_{SB}	—	—	10	μ A	MT-6 only
振荡频率 Oscillator Frequency	F_{OSC}	—	128	—	KHz	External \pm 30%
工作温度 Operating Temperature	Temp.	0	25	60	$^{\circ}$ C	

APPLICATION DIAGRAM 参考电路图



* Rosc ~ MT-6: @9V, 180K Ω ; MR-6A: @4V, 120K Ω

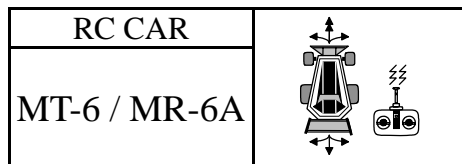
*All specs and applications shown above subject to change without prior notice.

(以上电路及规格仅供参考,本公司得径行修正)



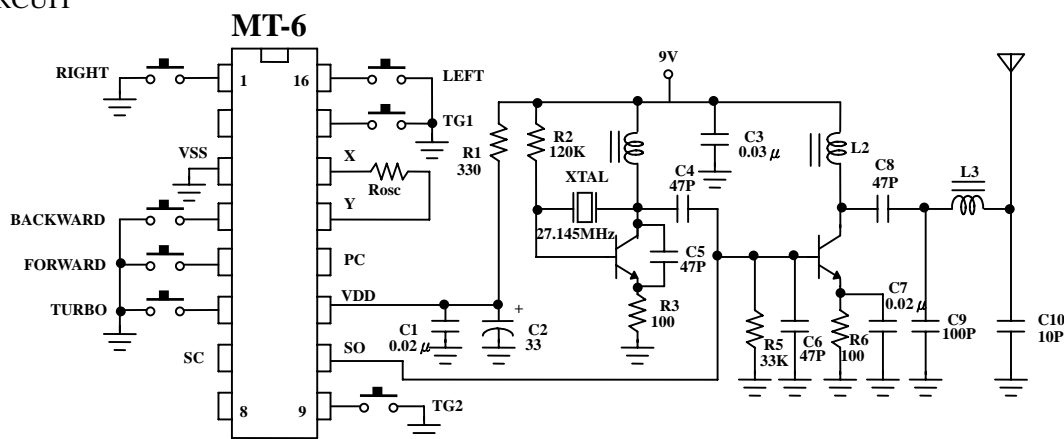
RC CAR
7 FUNCTIONS

7 功能遥控车

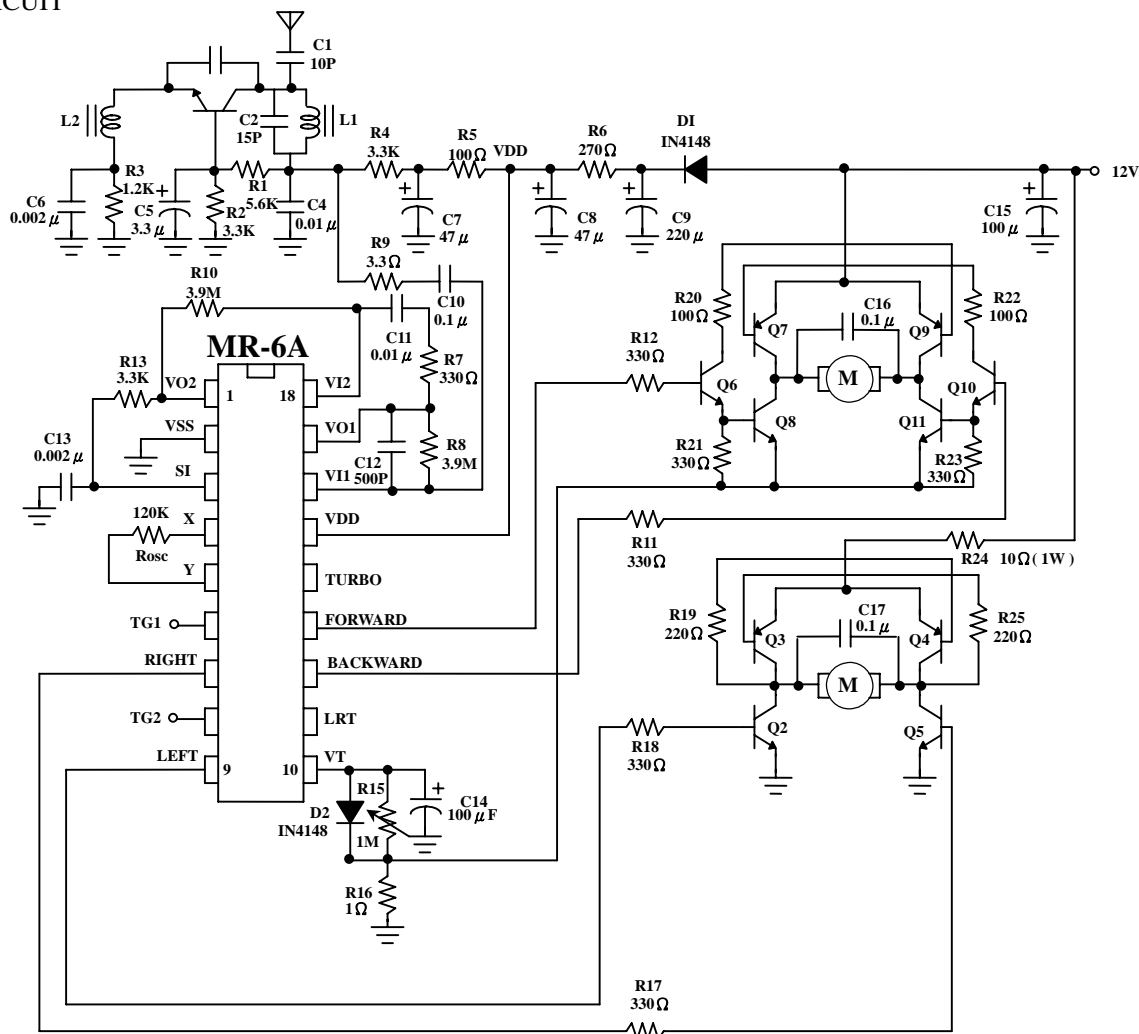


APPLICATION DIAGRAM 参考电路图

TX CIRCUIT



RX CIRCUIT



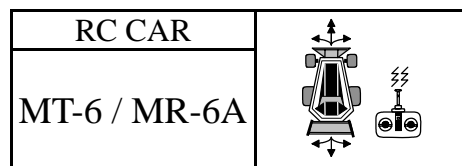
*All specs and applications shown above subject to change without prior notice.

(以上电路及规格仅供参考,本公司得径行修正)



RC CAR
7 FUNCTIONS

7 功能遙控車



COMBINATION OF FUNCTION

MT-6	MR-6A
F	F
F+L	F+L
F+R	F+R
TBO	TBO
TBO+F	TBO+F
TBO+F+L	TBO+F+L
TBO+F+R	TBO+F+R
B	B
B+L	B+L
B+R	B+R
TBO+B	TBO+B
TBO+B+L	TBO+B+L
TBO+B+R	TBO+B+R
L	L
R	R
TG1	TG1
TG1+F	TG1+F
TG1+TBO+F	TG1+TBO+F
TG1+TBO	TG1+TBO
TG1+B	TG1+B
TG1+TBO+B	TG1+TBO+B
TG1+F+L	TG1+F+L
TG1+F+R	TG1+F+R
TG1+B+L	TG1+B+L
TG1+B+R	TG1+B+R
TG1+L	TG1+L
TG1+R	TG1+R

