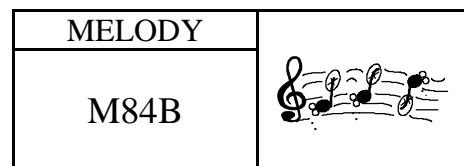




PIANO / MANDOLIN
1-KEY-1-NOTE

8 首歌, 步进音乐 IC



FEATURES 功能叙述

• Playing mode:

SEL : Tunes select.

DEMO : To demo the song selected.

TG : One-key-one-note trigger.

MAN : Piano / mandolin exchange.

M84B-1	M84B-2	M84B-3
1. OLD MAN	LOVE STORY	女人是老虎
2. DID YOU EVER	LOVE ME TENDER	东方之珠
3. A LITTLE LAMB	HOLIDAYS	涛声依旧
4. LITTLE STAR	FOR ALICE	说句心里话
5. LONDON BRIDGE	OVER THE RAINBOW	纤夫之爱
6. CLOSE ENCOUNTERS	YESTERDAY	小放牛
7. HAPPY BIRTHDAY	RED RIVER VALLEY	把根留住
8. OH! MY DARLING	YOU ARE SUNSHINE	青春舞曲

APPLICATION 产品应用

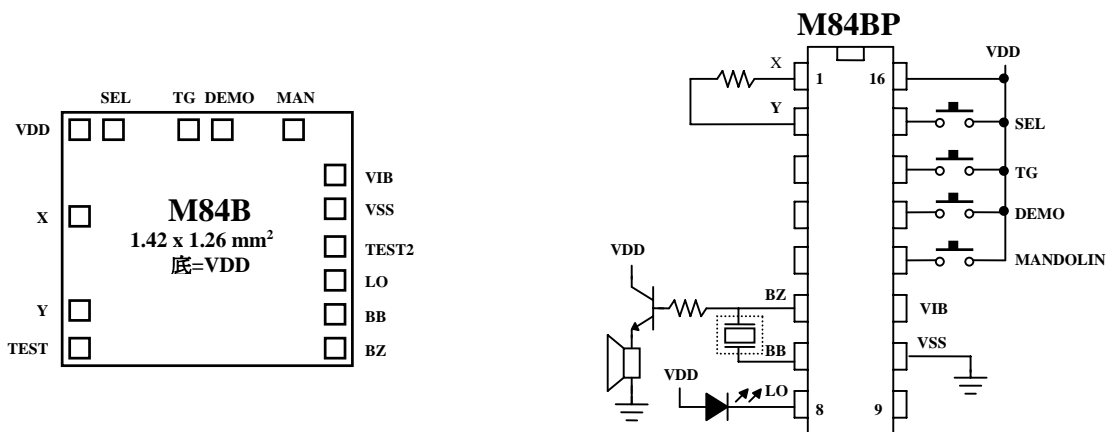
• Toys, Arcade game.

ELECTRICAL CHARACTERISTICS 电气规格

(@V_{DD}=3V unless otherwise specified)

Characteristics	Sym.	Min.	Typ.	Max.	Unit	REMARKS
工作电压 Operating Voltage	V _{DD}	—	3	3.5	V	
工作电流 Operating Current	I _{OP}	—	0.1	0.5	mA	No load
静态电流 Quiescent Current	I _{SB}	—	1	5	μ A	
推动电流 BZ Driving Current	I _O	1	—	—	mA	@V _{DS} =1V
推动电流 LO Driving Current	I _{OL}	6	—	—	mA	@V _{DS} =1.2V
振荡频率 Oscillator Frequency	F _{OSC}	—	100	—	KHz	External ± 30%, Rosc=270K Ω
工作温度 Operating Temperature	Temp.	0	25	60	°C	

APPLICATION DIAGRAM 参考电路图



*All specs and applications shown above subject to change without prior notice.

(以上电路及规格仅供参考,本公司得径行修正)