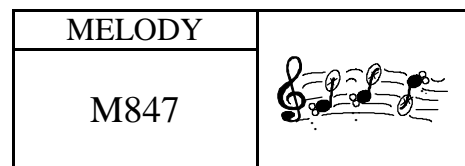




PIANO / MANDOLIN

1-KEY-1-NOTE WITH 7 LEDS 8首歌7灯, 步进音乐IC



**FEATURES 功能叙述**

- Playing mode :  
SEL : Tunes select.  
DEMO : To demo the song selected.  
TG : One-key-one-note trigger.  
MAN : Piano / mandolin exchange.
- LEDS : Flash rate : 3 Hz  
Duty cycle 1/6.
- LED : Sequential L1→L7.

|    | M847-1           | M847-2           | M847-3 |
|----|------------------|------------------|--------|
| 1. | OLD MAN          | LOVE STORY       | 女人是老虎  |
| 2. | DID YOU EVER     | LOVE ME TENDER   | 东方之珠   |
| 3. | A LITTLE LAMB    | HOLIDAYS         | 涛声依旧   |
| 4. | LITTLE STAR      | FOR ALICE        | 说句心里话  |
| 5. | LONDON BRIDGE    | OVER THE RAINBOW | 纤夫之爱   |
| 6. | CLOSE ENCOUNTERS | YESTERDAY        | 小放牛    |
| 7. | HAPPY BIRTHDAY   | RED RIVER VALLEY | 把根留住   |
| 8. | OH! MY DARLING   | YOU ARE SUNSHINE | 青春舞曲   |

**APPLICATION 产品应用**

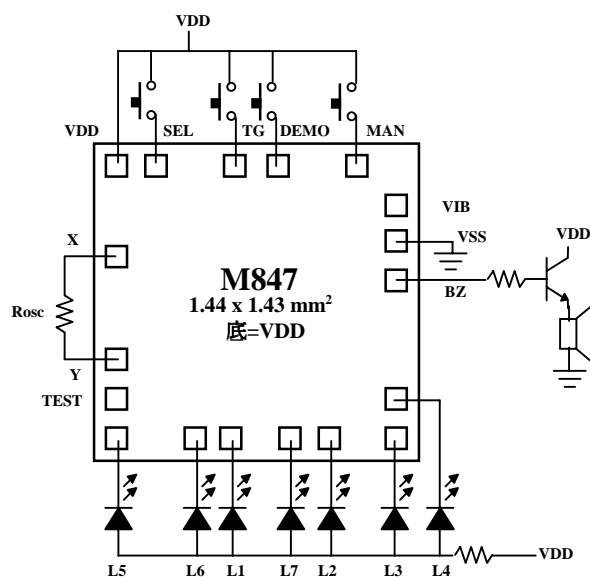
- Toys, Arcade game.

**ELECTRICAL CHARACTERISTICS 电气规格**

( @V<sub>DD</sub>=3V unless otherwise specified )

| Characteristics            | Sym.             | Min. | Typ. | Max. | Unit | REMARKS                     |
|----------------------------|------------------|------|------|------|------|-----------------------------|
| 工作电压 Operating Voltage     | V <sub>DD</sub>  | —    | 3    | 3.5  | V    |                             |
| 工作电流 Operating Current     | I <sub>OP</sub>  | —    | 0.1  | 0.5  | mA   | No load                     |
| 静态电流 Quiescent Current     | I <sub>SB</sub>  | —    | 1    | 5    | μ A  |                             |
| 推动电流 BZ Driving Current    | I <sub>O</sub>   | 1    | —    | —    | mA   | @ V <sub>DS</sub> =1V       |
| 推动电流 LO Driving Current    | I <sub>OL</sub>  | 6    | —    | —    | mA   | @ V <sub>DS</sub> =1.2V     |
| 振荡频率 Oscillator Frequency  | F <sub>OSC</sub> | —    | 100  | —    | KHz  | External ± 30%, Rosc=240K Ω |
| 工作温度 Operating Temperature | Temp.            | 0    | 25   | 60   | °C   |                             |

**APPLICATION DIAGRAM 参考电路图**



\*All specs and applications shown above subject to change without prior notice.

( 以上电路及规格仅供参考,本公司得行修正 )