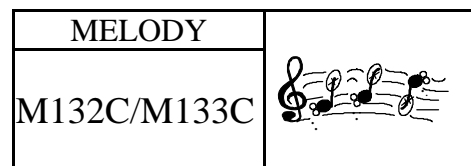


CDS, OSH & ON/OFF  
With 2 LEDs  
128 Note Melody IC

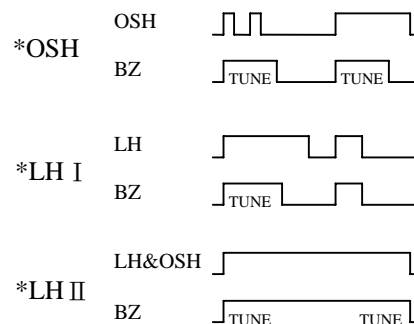
M132C 内建振荡  
M133C 可调频率  
128 音符 + 2 LED



### FEATURES 功能叙述

- Rosc: INT. / EXT. (mask option)
- Separate LED and Buzzer and Motor Driver.
- LED: 互闪 (2.2 Hz).  
: 互闪 (ASYNC).  
: L2: ASYNC, L1: Active Low.  
(mask option)
- Mode: OSH, LHI, LH II, ON/OFF (Suffix-X).

**M132C** Int. Rosc  
**M133C** Ext. Rosc



### APPLICATION 产品应用

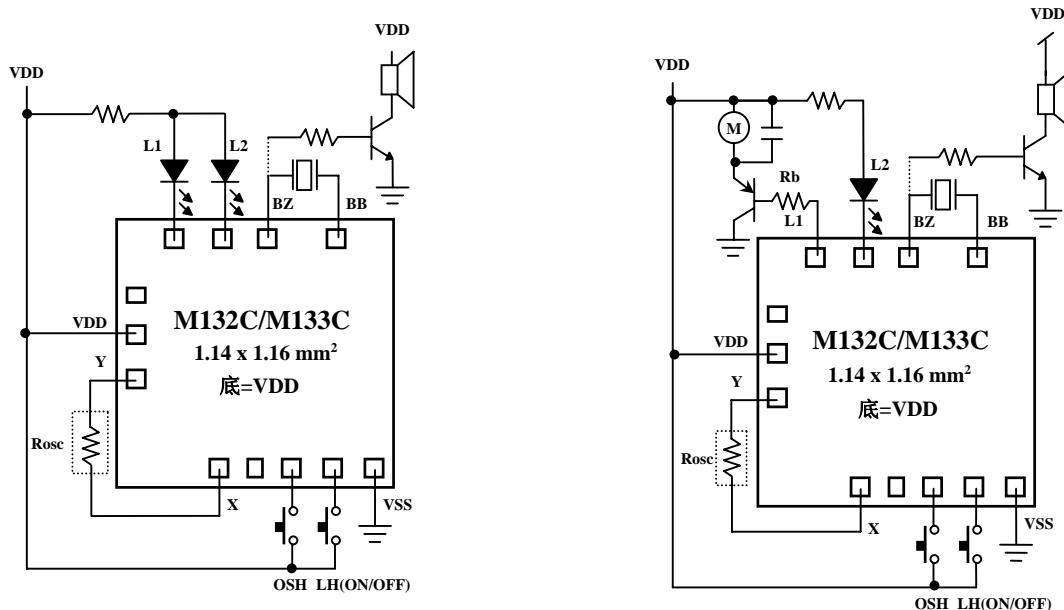
- Toys, Key chain etc..

### ELECTRICAL CHARACTERISTICS 电气规格

( @V<sub>DD</sub>=3V unless otherwise specified )

Characteristics	Sym.	Min.	Typ.	Max.	Unit	REMARKS
工作电压 Operating Voltage	V <sub>DD</sub>	—	3	4.5	V	
工作电流 Operating Current	I <sub>OP</sub>	—	0.1	0.5	mA	No load
静态电流 Quiescent Current	I <sub>SB</sub>	—	1	5	uA	
推动电流 BZ Driving Current	I <sub>O</sub>	1	—	—	mA	@V <sub>DS</sub> =1V
推动电流 LO Driving Current	I <sub>OL</sub>	6	—	—	mA	@V <sub>DS</sub> =1.2V
振荡频率 Oscillator Frequency	F <sub>OSC</sub>	—	100	—	KHz	Internal ± 30%
工作温度 Operating Temperature	Temp.	0	25	60	°C	

### APPLICATION DIAGRAM 参考电路图



\*All specs and applications shown above subject to change without prior notice.  
( 以上电路及规格仅供参考,本公司得径行修正 )



~ 華半導體股份有限公司  
MOSDESIGN SEMICONDUCTOR CORP.

TAIPEI : TEL : 886-2- 22783733

FAX : 886-2- 22783633

H.K. : TEL : 852- 27569109

FAX : 852- 27566961

CDS, OSH & ON/OFF

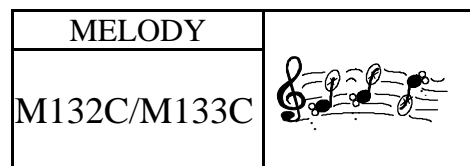
With 2 LEDs

128 Note Melody IC

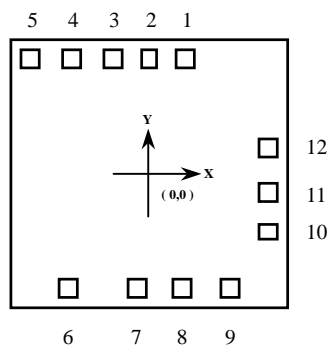
M132C 内建振荡

M133C 可调频率

128 音符 + 2 LED



### PAD ASSIGNMENT & POSITION



UNIT : um

No.	NAME	X	Y
1	X	201	454
2	TO	47	456
3	OSH	-103	454
4	LH	-275	454
5	VSS	-447	454
6	BB	-382	-408
7	BZ	-95	-408
8	L2	91	-404
9	L1	290	-404
10	TE	443	-258
11	VDD	446	-93
12	Y	446	88

\* CHIP SIZE ~ 1.14 x 1.16 mm<sup>2</sup>

\* IC substrate should be connected to VDD in PCB (PCB 上 IC 必须接 VDD)