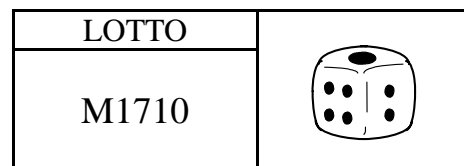




L1→L6

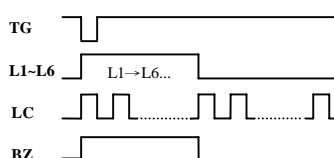
BEEP LOTTO IC

乐透 IC



FEATURES 功能叙述

- LC constantly blinking.



P/N	Rosc
M1710-1	Ext.R
M1710-2	Int.R

APPLICATION 产品应用

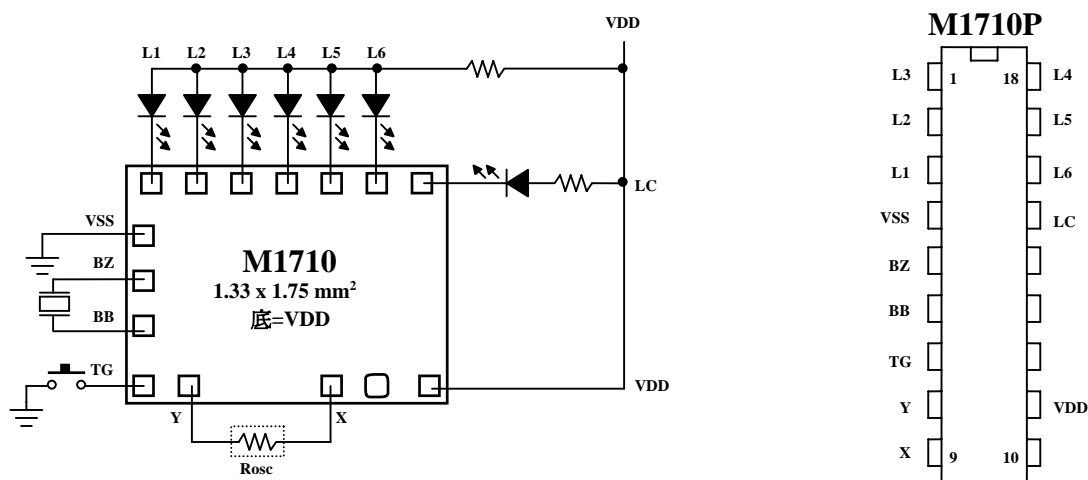
- Lotto game, Toys etc..

ELECTRICAL CHARACTERISTICS 电气规格

(@V_{DD}=3V unless otherwise specified)

Characteristics	Sym.	Min.	Typ.	Max.	Unit	REMARKS
工作电压 Operating Voltage	V _{DD}	—	3	3.5	V	
工作电流 Operating Current	I _{OP}	—	0.1	0.5	mA	No load
静态电流 Quiescent Current	I _{SB}	—	1	5	μA	
推动电流 Driving Current	I _{OL}	6	—	—	mA	@ V _{DS} =1.2V
振荡频率 Oscillator Frequency	F _{OSC}	—	128	—	KHz	±30%, Rosc=180K Ω
工作温度 Operating Temperature	Temp.	0	25	60	°C	

APPLICATION DIAGRAM 参考电路图



*All specs and applications shown above subject to change without prior notice.

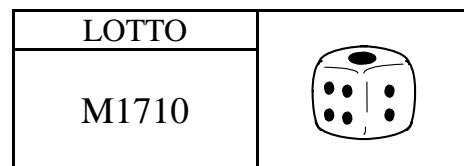
(以上电路及规格仅供参考,本公司得径行修正)



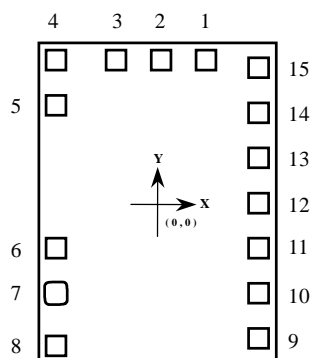
L1→L6

BEEP LOTTO IC

乐透 IC



PAD ASSIGNMENT & POSITION



UNIT : um

No.	NAME	X	Y
1	VSS	243	674
2	BZ	33	674
3	BB	-177	674
4	TG	-509	674
5	Y	-509	464
6	X	-509	-227
7	TEST	-509	-437
8	VDD	-509	-670
9	LC	510	-628
10	L6	510	-418
11	L5	510	-208
12	L4	510	2
13	L3	510	212
14	L2	510	422
15	L1	510	632

* CHIP SIZE ~ 1.33 x 1.75 mm²

* IC substrate should be connected to VDD in PCB (PCB 上 IC 必须接 VDD)