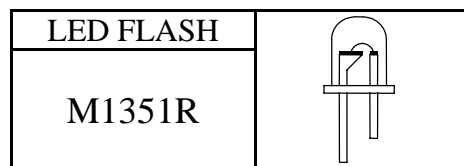




1 OR 2 KEY
ON/OFF & PAUSE
RGB LED IC

单键 OR 两键
ON/OFF, 暂停
三色灯 LED IC



FEATURES 功能叙述

- ON/OFF: ON/OFF trigger.
- PAUSE: Pause the color and brightness.
- TRIG: ON/OFF & PAUSE trigger, Push switch \cong 2sec power off.
- S1,S2: 4 section pattern select.
- OPT: " OPEN " = Sink output, " VSS " = Source output.
- DIP,SOP Package 16 pin.

Section	Function	S1	S2
1	1/2 Phase.	X	X
2	七彩主色变化	VDD	X
3	七彩变化	X	VDD
4	七彩交错渐明渐暗	VDD	VDD

APPLICATION 产品应用

- Blinking LED, Function indicator, R.G.B Mix etc..

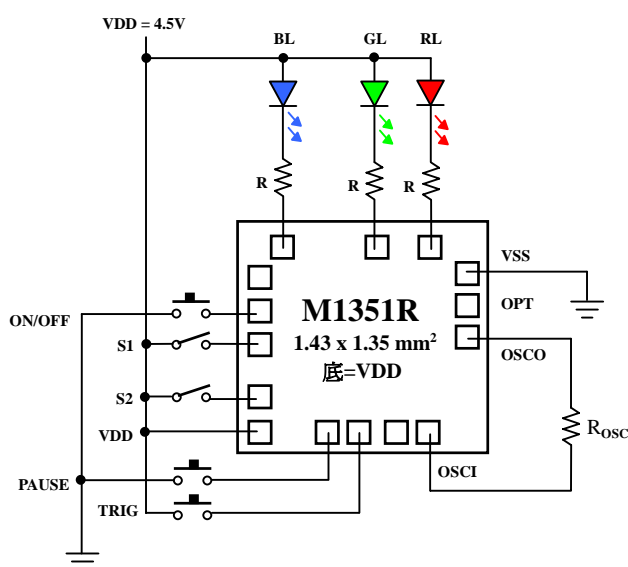
ELECTRICAL CHARACTERISTICS 电气规格

(@V_{DD}=4.5V unless otherwise specified)

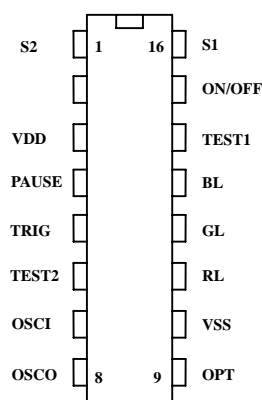
Characteristics	Sym.	Min.	Typ.	Max.	Unit	REMARKS
工作电压 Operating Voltage	V _{DD}	3.6	4.5	5.0	V	
工作电流 Operating Current	I _{OP}	—	0.1	0.5	mA	No load
静态电流 Quiescent Current	I _{SB}	—	1	5	μ A	
推动电流 Driving Current	I _{OL}	20	—	—	mA	@V _{DS} = 1.2 V
振荡频率 Oscillator Frequency	F _{osc}	—	128	—	KHz	External \pm 30%, R _{osc} =180K Ω
工作温度 Operating Temperature	Temp.	-10	25	70	$^{\circ}$ C	

APPLICATION DIAGRAM 参考电路图

(A) SINK OUTPUT



M1351R



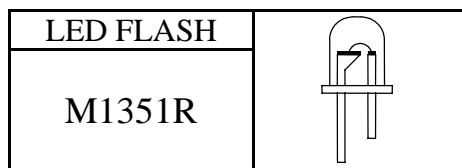


~ 華半導體股份有限公司
MOSDESIGN SEMICONDUCTOR CORP.

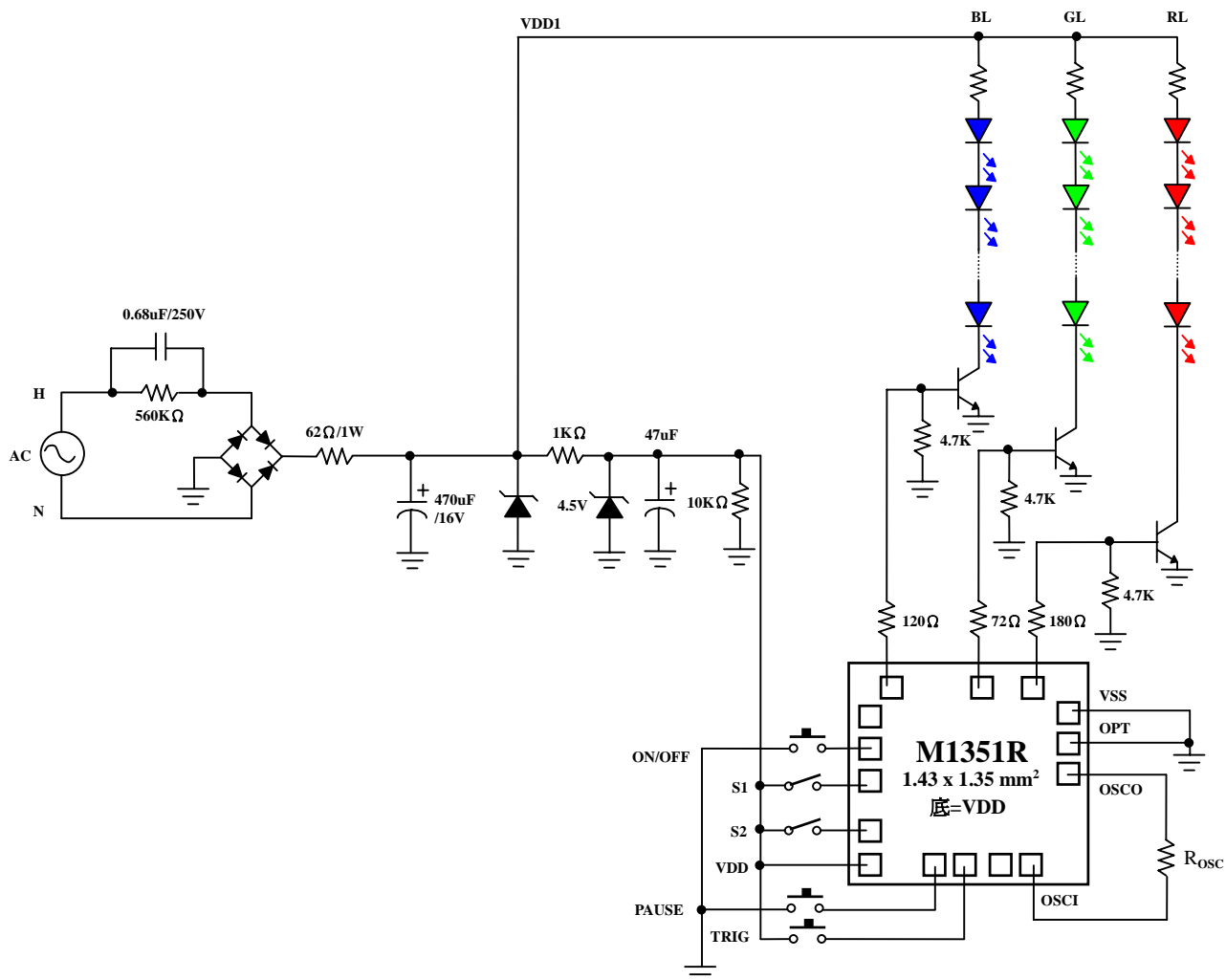
TAIPEI : TEL : 886-2- 22783733
FAX : 886-2- 22783633
H.K. : TEL : 852- 27569109
FAX : 852- 27566961

1 OR 2 KEY
ON/OFF & PAUSE
RGB LED IC

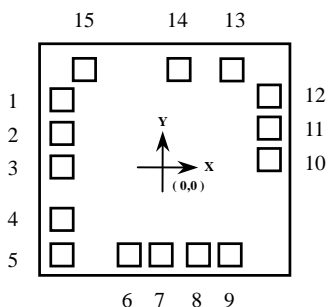
单键 OR 两键
ON/OFF, 暂停
三色灯 LED IC



(B) SOURCE OUTPUT



PAD ASSIGNMENT & POSITION



UNIT : um

No.	NAME	X	Y
1	TEST1	-594.40	320.50
2	ON/OFF	-589.40	138.50
3	S1	-589.40	-49.60
4	S2	-589.40	-356.60
5	VDD	-589.40	-552.00
6	PAUSE	-199.00	-552.00
7	TRIG	-12.00	-552.00
8	TEST2	198.30	-552.00
9	OSCI	385.30	-552.00
10	OSCO	589.40	-1.20
11	OPT	594.40	168.50
12	VSS	589.40	343.50
13	RL	369.30	494.70
14	GL	73.10	494.70
15	BL	-481.70	494.70

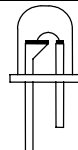
* CHIP SIZE ~ 1.43 X 1.35 mm²

* IC substrate should be connected to VDD in PCB (PCB 上 IC 必须接 VDD)



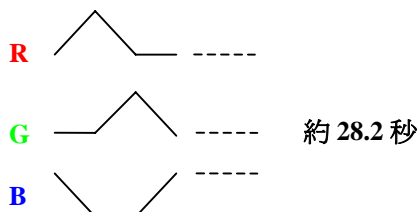
1 OR 2 KEY
ON/OFF & PAUSE
RGB LED IC

单键 OR 两键
ON/OFF, 暂停
三色灯 LED IC

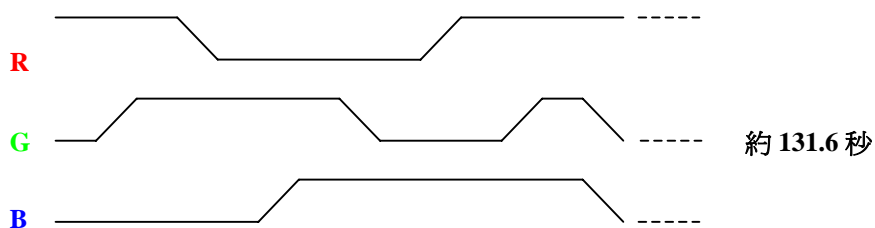
LED FLASH	
M1351R	

PATTERN (变化示意图)

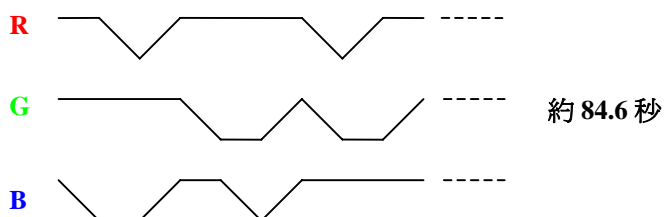
*** SECTION 1 : 1/2 PHASE**



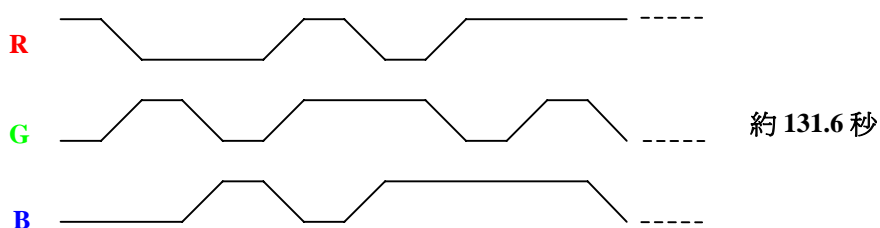
*** SECTION 2 : 七彩主色变化**



*** SECTION 3 : 七彩变化**



*** SECTION 4 : 七彩交错渐明渐暗**



*All specs and applications shown above subject to change without prior notice.
(以上电路及规格仅供参考,本公司得径行修正)