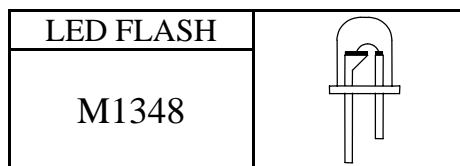




SYNC  
RGB LED IC

同步  
三色灯 LED IC



FEATURES 功能叙述

- Totally 15 operation mode.
- Built-in oscillator.
- SP: 2 speed select pin.
- Available in 8-pin, 16 pin SOP package.
- Power-on while automatic synchronous an LEDS of the same color.
- Can be cascaded in daisy chain fashion in wave of the different color.
- OPT: N-channel open drain output. / P-channel open drain output select pin.

P/N	FUNCTION
M1348A	11 种起始地址 七彩渐明渐暗+红色系渐明渐暗
M1348B	6 种起始地址 同步同色顺序跳闪+同步同色跳闪+6 色渐明渐暗
M1348C	6 种起始地址 6 色渐明渐暗(飘)+6 色同步渐明渐暗
M1348D	6 种起始地址 同步 6 色跳闪+同步同色跳闪+6 色渐明渐暗
M1348E	7 种起始地址 七彩渐明渐暗(快速)
M1348F	1 种起始地址 RGB 跳闪+RG、GB、BR 跳闪+七彩渐明渐暗

APPLICATION 产品应用

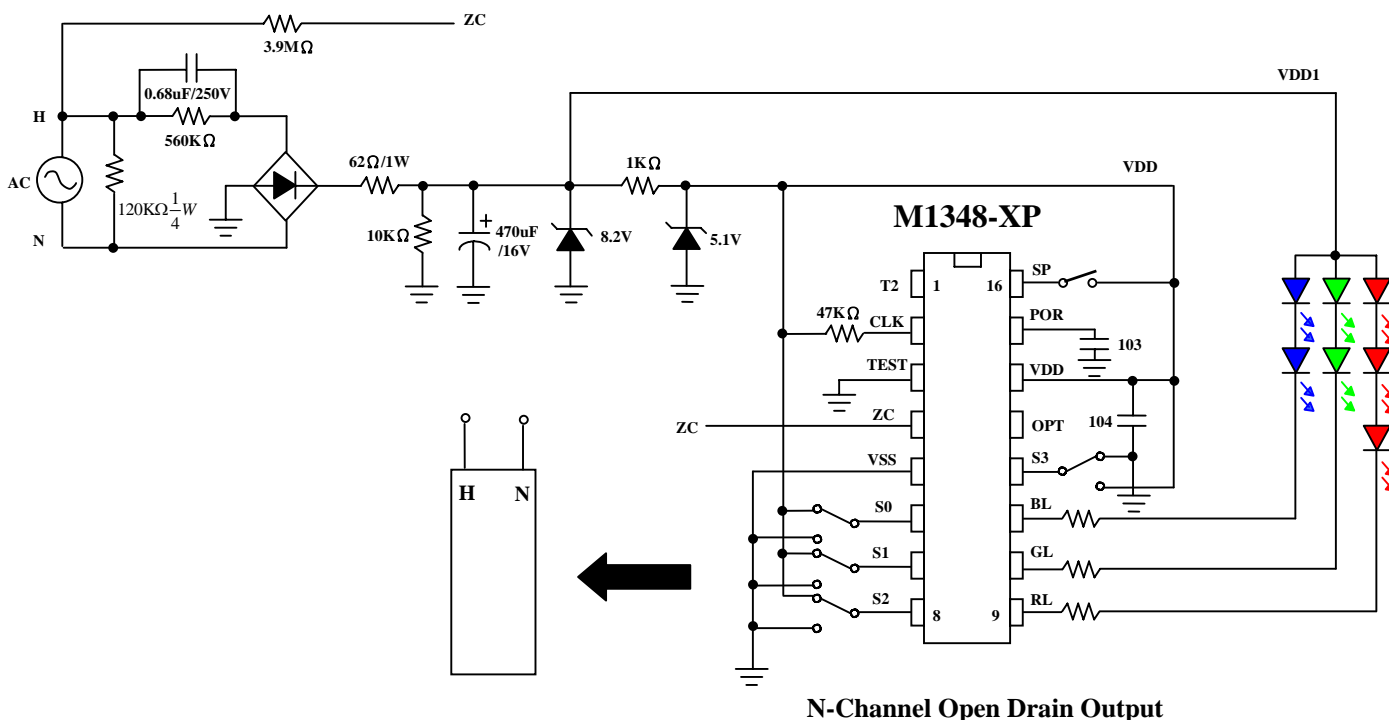
- LED color mixer lamp etc..

ELECTRICAL CHARACTERISTICS 电气规格

( @V<sub>DD</sub>=4.5V unless otherwise specified )

Characteristics	Sym.	Min.	Typ.	Max.	Unit	REMARKS
工作电压 Operating Voltage	V <sub>DD</sub>	—	4.5	5.5	V	
工作电流 Operating Current	I <sub>OP</sub>	—	0.5	—	mA	No load
推动电流 Driving Sink Current	I <sub>OL</sub>	20	—	—	mA	@V <sub>DS</sub> = 1.2 V
推动电流 Driving Source Current	I <sub>Oh</sub>	5	—	—	mA	@V <sub>SD</sub> = 1.2 V
振荡频率 Oscillator Frequency	F <sub>LED</sub>	—	450	—	KHz	±30% TOL.
工作温度 Operating Temperature	Temp.	0	25	60	°C	

APPLICATION DIAGRAM 参考电路图

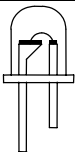


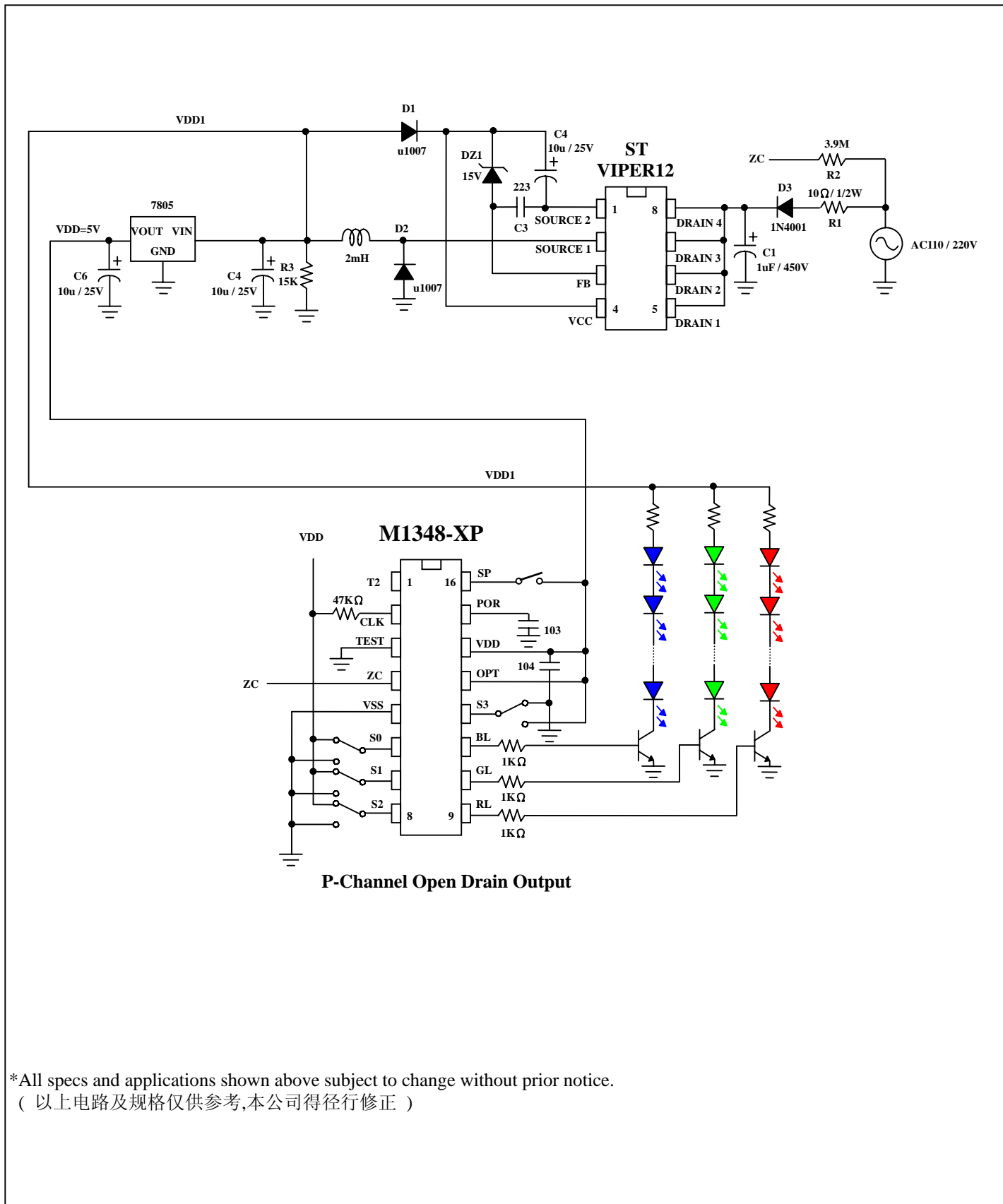
N-Channel Open Drain Output



SYNC  
RGB LED IC

同步  
三色灯 LED IC

LED FLASH	
M1348	

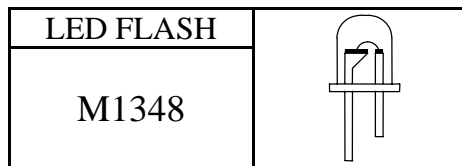


\*All specs and applications shown above subject to change without prior notice.  
( 以上电路及规格仅供参考,本公司得径行修正 )



SYNC  
RGB LED IC

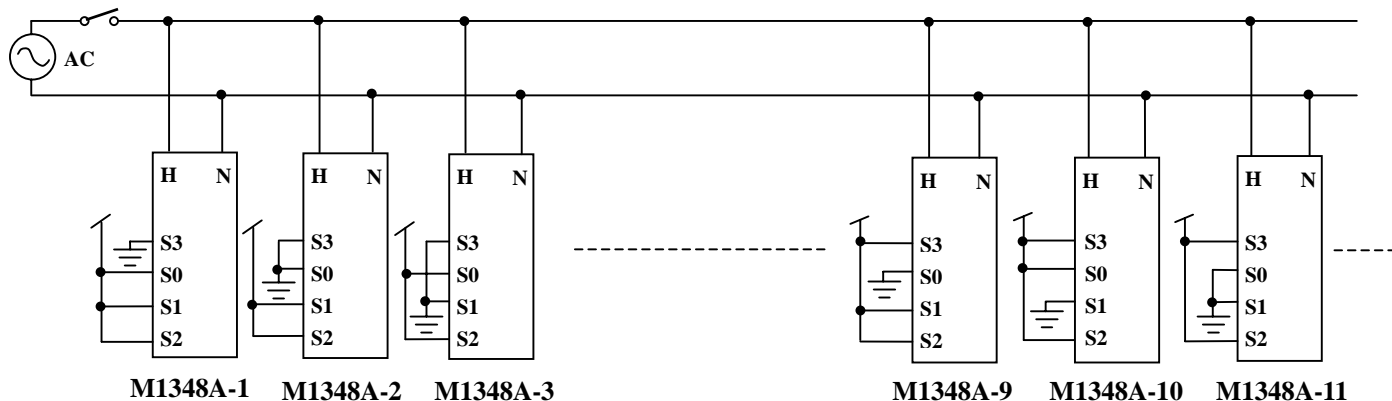
同步  
三色灯 LED IC



\* M1348A: 七彩渐明渐暗+红色系渐明渐暗

P/N	MODE	S0	S1	S2	S3	COLOR	
M1348A-1	1	VDD	VDD	VDD	VSS	Red	红
M1348A-2	2	VSS	VDD	VDD	VSS	Orange	橙
M1348A-3	3	VDD	VSS	VDD	VSS	Yellow	黄
M1348A-4	4	VSS	VSS	VDD	VSS	Green	绿
M1348A-5	5	VDD	VDD	VSS	VSS	Blue	蓝
M1348A-6	6	VSS	VDD	VSS	VSS	Indigo	靛
M1348A-7	7	VDD	VSS	VSS	VSS	Violet	紫
M1348A-8	8	VSS	VSS	VSS	VSS	White	白
M1348A-9	9	VSS	VDD	VDD	VDD	Pink	桃红
M1348A-10	10	VDD	VSS	VDD	VDD	Red	红
M1348A-11	11	VSS	VSS	VDD	VDD	Pink	桃红

SP: = Open ( One Cycle about 300 Sec at AC 60Hz. )  
= VDD ( One Cycle about 150 Sec at AC 60Hz. )



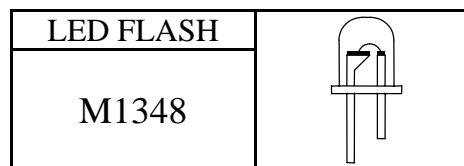
PATTERN:

1										
2										
3										
4										
5										
6										
7										
8										
9										
10										
11										



SYNC  
RGB LED IC

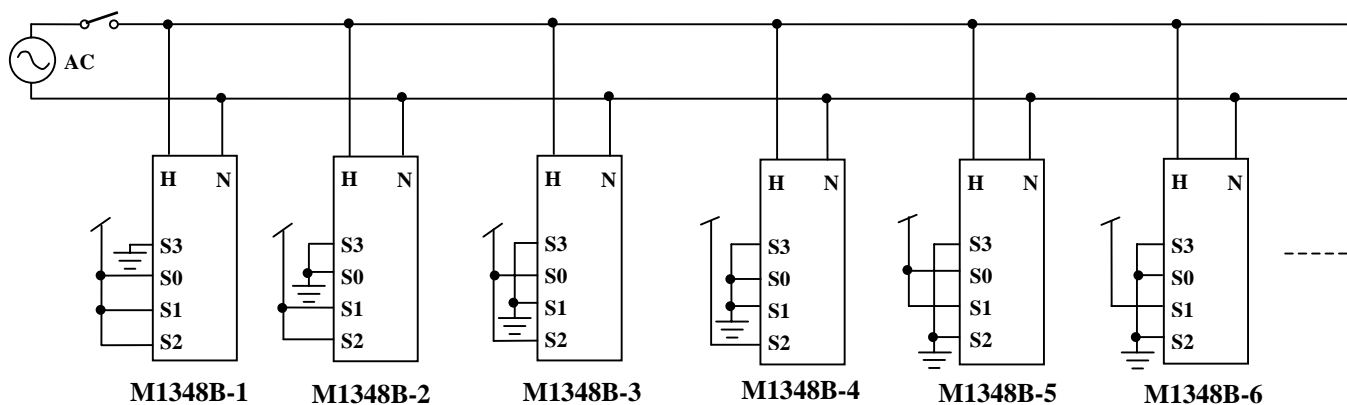
同步  
三色灯 LED IC



\* M1348B: 同步同色顺序跳闪+同步同色跳闪+6色渐明渐暗

P/N	MODE	S0	S1	S2	S3	COLOR	
M1348B-1	1	VDD	VDD	VDD	VSS	Red	红
M1348B-2	2	VSS	VDD	VDD	VSS	Orange	橙
M1348B-3	3	VDD	VSS	VDD	VSS	Green	绿
M1348B-4	4	VSS	VSS	VDD	VSS	Blue	蓝
M1348B-5	5	VDD	VDD	VSS	VSS	Indigo	靛
M1348B-6	6	VSS	VDD	VSS	VSS	Pink	桃红

SP: = Open (One Cycle about 74 Sec at AC 60Hz)  
= VDD (One Cycle about 39 Sec at AC 60Hz)



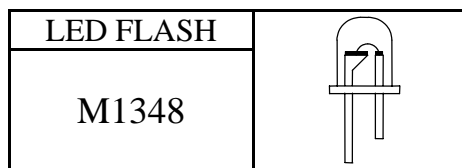
PATTERN:

1	●	●	●	●	●	●	●	●	●	●	●	●	●	●	●	●
2		●	●	●	●	●	●	●	●	●	●	●	●	●	●	●
3			●	●	●	●	●	●	●	●	●	●	●	●	●	●
4				●	●	●	●	●	●	●	●	●	●	●	●	●
5					●	●	●	●	●	●	●	●	●	●	●	●
6						●	●	●	●	●	●	●	●	●	●	●
	同步同色顺序跳闪					同步同色跳闪					6色渐明渐暗					



SYNC  
RGB LED IC

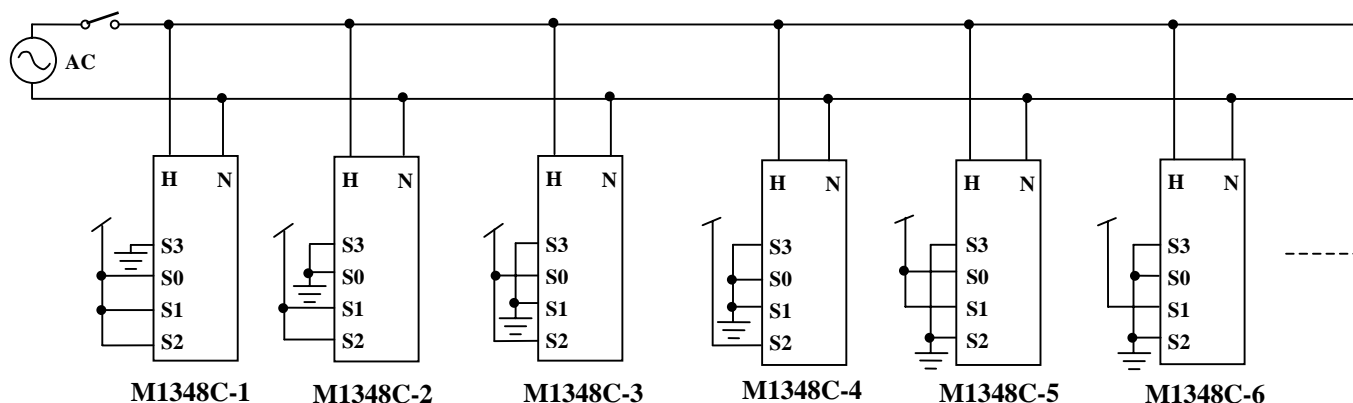
同步  
三色灯 LED IC



\* M1348C: 6 色渐明渐暗(飘)+ 6 色同步渐明渐暗

P/N	MODE	S0	S1	S2	S3	COLOR	
M1348C-1	1	VDD	VDD	VDD	VSS	Indigo	靛
M1348C-2	2	VSS	VDD	VDD	VSS	Pink	桃红
M1348C-3	3	VDD	VSS	VDD	VSS	Red	红
M1348C-4	4	VSS	VSS	VDD	VSS	Yellow	黄
M1348C-5	5	VDD	VDD	VSS	VSS	Green	绿
M1348C-6	6	VSS	VDD	VSS	VSS	Blue	蓝

SP: = Open (One Cycle about 47 Sec at AC 60Hz.)  
= VDD (One Cycle about 23 Sec at AC 60Hz.)



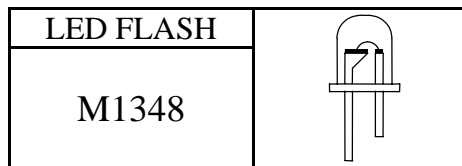
PATTERN:

1																				
2																				
3																				
4																				
5																				
6																				
	6 色渐明渐暗(飘)										6 色同步渐明渐暗									



SYNC  
RGB LED IC

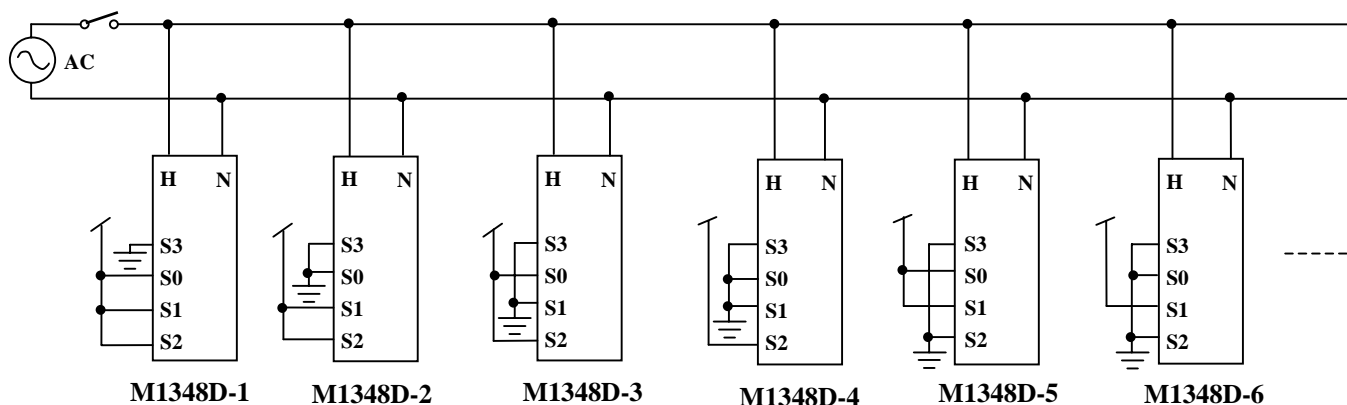
同步  
三色灯 LED IC



\* M1348D: 同步 6 色跳闪+同步同色跳闪+ 6 色渐明渐暗

P/N	MODE	S0	S1	S2	S3	COLOR	
M1348D-1	1	VDD	VDD	VDD	VSS	Red	红
M1348D-2	2	VSS	VDD	VDD	VSS	Orange	橙
M1348D-3	3	VDD	VSS	VDD	VSS	Green	绿
M1348D-4	4	VSS	VSS	VDD	VSS	Blue	蓝
M1348D-5	5	VDD	VDD	VSS	VSS	Indigo	靛
M1348D-6	6	VSS	VDD	VSS	VSS	Pink	桃红

SP: = Open (One Cycle about 74 Sec at AC 60Hz)  
= VDD (One Cycle about 38 Sec at AC 60Hz)



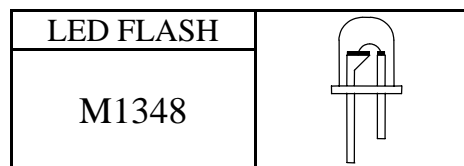
PATTERN:

1																
2																
3																
4																
5																
6																
	同步 6 色跳闪						同步同色跳闪				6 色渐明渐暗					



SYNC  
RGB LED IC

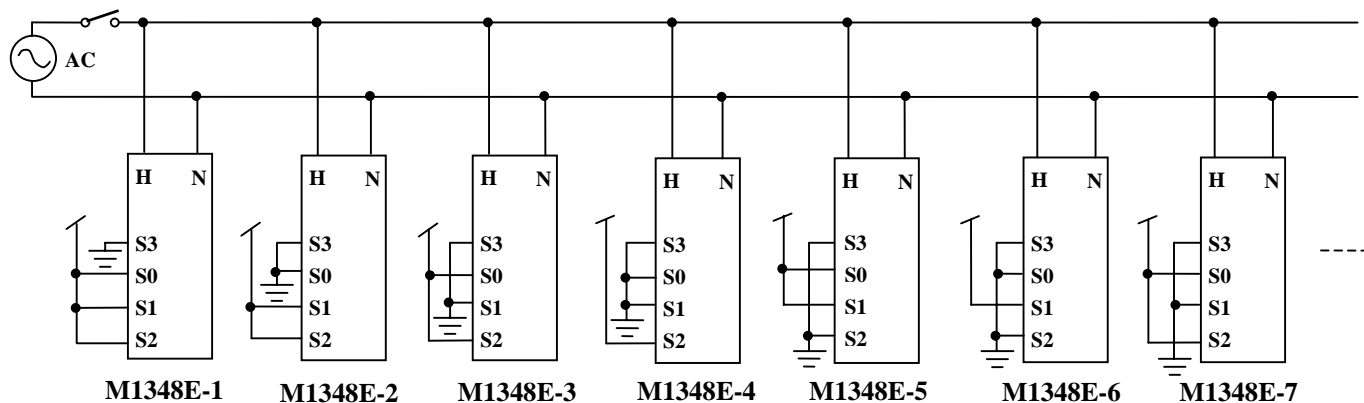
同步  
三色灯 LED IC



\* M1348E: 七彩渐明渐暗(快速)

P/N	MODE	S0	S1	S2	S3	COLOR	
M1348E-1	1	VDD	VDD	VDD	VSS	Red	红
M1348E-2	2	VSS	VDD	VDD	VSS	Yellow	黄
M1348E-3	3	VDD	VSS	VDD	VSS	Green	绿
M1348E-4	4	VSS	VSS	VDD	VSS	Blue	蓝
M1348E-5	5	VDD	VDD	VSS	VSS	Indigo	靛
M1348E-6	6	VSS	VDD	VSS	VSS	White	白
M1348E-7	7	VDD	VSS	VSS	VSS	Pink	桃红

SP: = Open (One Cycle about 35 Sec at AC 60Hz.)  
= VDD (One Cycle about 17 Sec at AC 60Hz.)



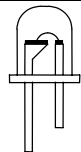
PATTERN:

1								
2								
3								
4								
5								
6								
7								



SYNC  
RGB LED IC

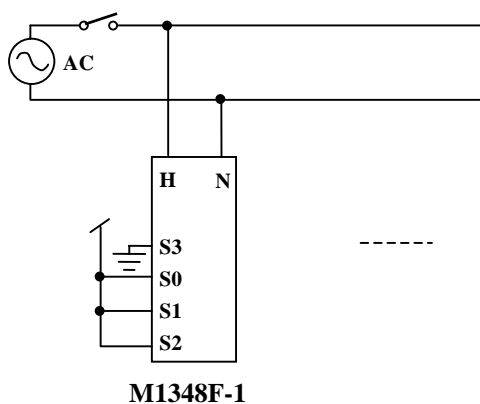
同步  
三色灯 LED IC

LED FLASH	
M1348	




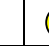
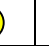
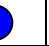
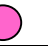


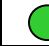

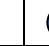

\* M1348F: RGB 跳闪 + RG、GB、BR 跳闪 + 七彩渐明渐暗

P/N	MODE	S0	S1	S2	S3	COLOR	
M1348F-1	1	VDD	VDD	VDD	VSS	Red	红

SP: = Open ( One Cycle about 128 Sec at AC 60Hz )  
= VDD ( One Cycle about 65 Sec at AC 60Hz )



PATTERN:

1													
	RGB 跳闪(3次)			RG、GB、BR 跳闪3次			七彩渐明渐暗(3次)						





~ 華半導體股份有限公司  
MOSDESIGN SEMICONDUCTOR CORP.

TAIPEI : TEL : 886-2- 22783733

FAX : 886-2- 22783633

H.K. : TEL : 852- 27569109

FAX : 852- 27566961

SYNC  
RGB LED IC

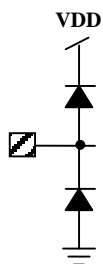
同步  
三色灯 LED IC

LED FLASH	
M1348	

**OSC PSRR:**

VDD ( V )	Fosc ( KHz )
2.0	319.5
2.5	383.2
3.0	400.0
3.5	411.3
4.0	418.0
4.5	422.0
5.0	420.4

**INPUTS PROTECTION:**



**OUTPUTS PROTECTION :**

