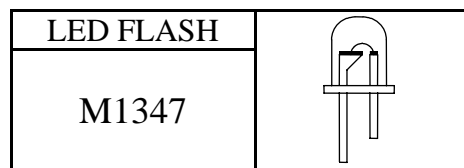


CDS , ON/OFF , OSH
RGB LED IC

三色灯 LED IC



FEATURES 功能叙述

- Auto: 花样时间自动加速, 6 段速度循环.
- S1、S2: 4 段花样选择.
- Pause: 色彩及亮度暂停功能.

* M1347-1

S1	S2	SECTION	FUNCTION
X	X	1	1/2 Phase
VSS	X	2	七彩渐明渐暗
X	VSS	3	七彩变化
VSS	VSS	4	多彩变化

APPLICATION 产品应用

- Blinking LED, Function indicator, R.G.B Mix etc..

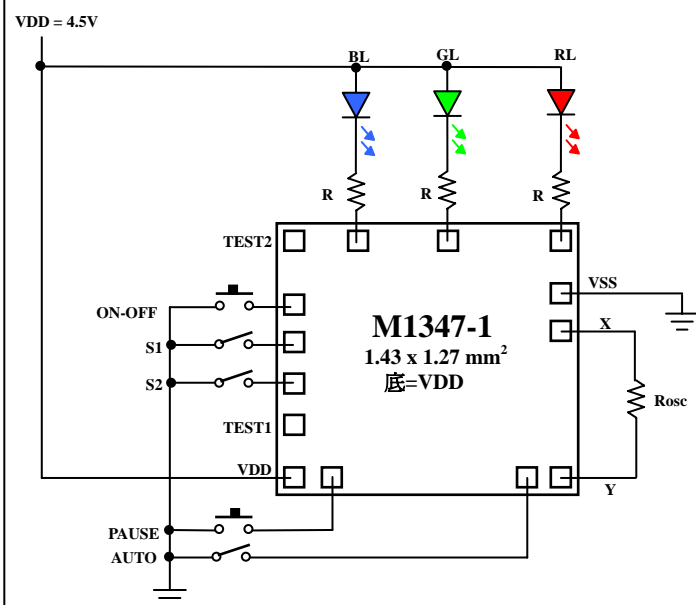
ELECTRICAL CHARACTERISTICS 电气规格

(@V_{DD}=3V unless otherwise specified)

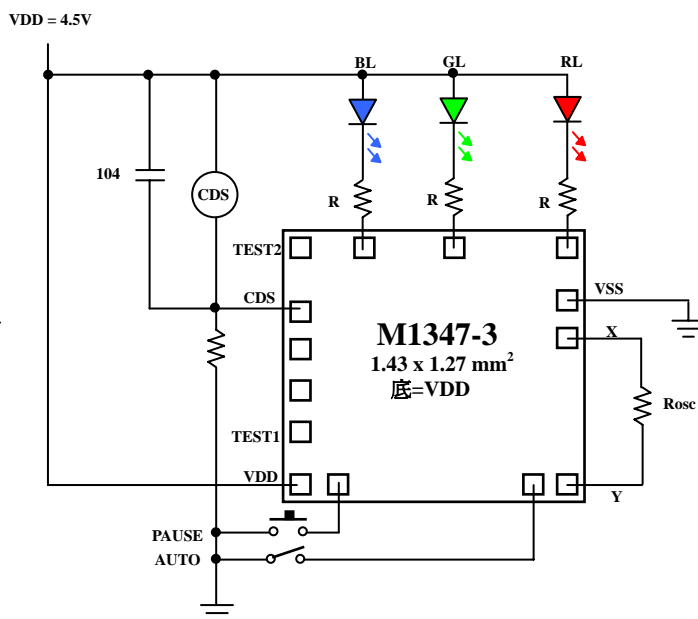
Characteristics	Sym.	Min.	Typ.	Max.	Unit	REMARKS
工作电压 Operating Voltage	V _{DD}	1.5	3	4.5	V	
工作电流 Operating Current	I _{OP}	—	0.1	0.5	mA	No load
静态电流 Quiescent Current	I _{SB}	—	1	5	μA	
推动电流 Driving Current	I _{OL}	20	—	—	mA	@V _{DS} = 1.2 V
振荡频率 Oscillator Frequency	F _{LED}	—	200	—	KHz	External ±30%, Rosc=390K Ω
工作温度 Operating Temperature	Temp.	0	25	60	°C	

APPLICATION DIAGRAM 参考电路图

* M1347-1: ON/OFF CONTROL



* M1347-3 : CDS



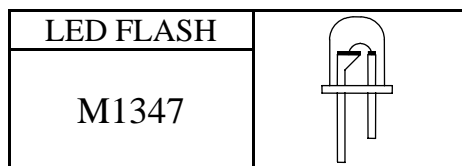
* 注: 改变 Rosc 电阻值可改变颜色变化时间, Rosc 值越大则时间变长, Rosc 值越小则时间变短。



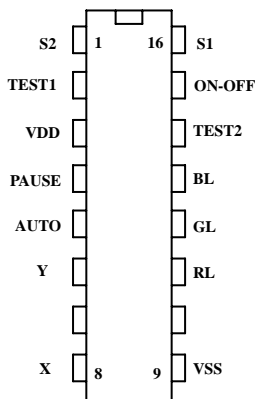
CDS , ON/OFF , OSH

RGB LED IC

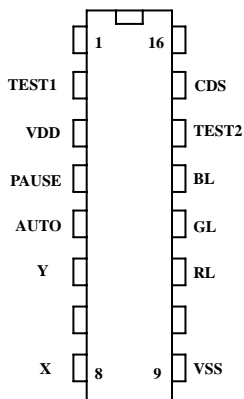
三色灯 LED IC



M1347-1P



M1347-3P

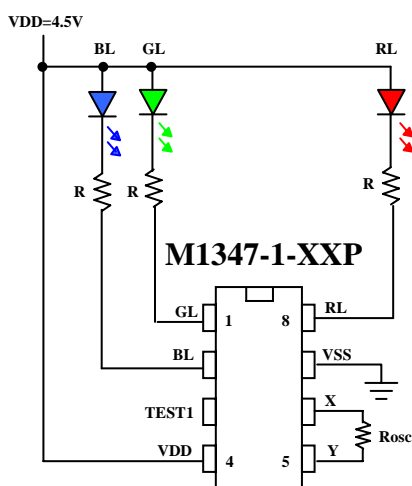


M1347-1 Section1 R、C 调整表

@VDD=4.5V			
R (KΩ)	TIME (Sec.)	C (pF)	TIME (Sec.)
20	5.8	1	24
47	9.4	82	46
68	11	180	58
120	14	330	72
470	19.8	500	82
910	21	680	90

* Typical : 47 Sec. ± 20%

* S.O Package 8 PIN



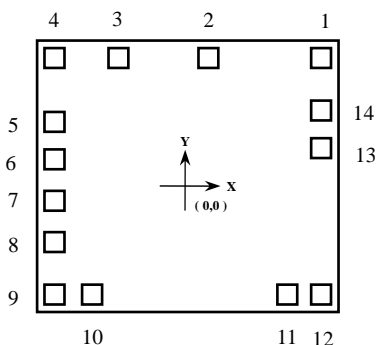
* Power-on flash.

* 4 section pattern select (bonding option).

* **M1347-1**

Sestion	Suffix	Function
1	C1	1/2 Phase
2	C2	七彩渐明渐暗
3	C3	七彩变化
4	C4	多彩变化

PAD ASSIGNMENT & POSITION



UNIT : um

No.	NAME	X	Y
1	RL	592	514
2	GL	94	514
3	BL	-307	514
4	TEST2	-592	514
5	ON-OFF / CDS	-592	230.5
6	S1	-592	54
7	S2	-592	-122.5
8	TEST1	-592	-299
9	VDD	-592	-514
10	PAUSE	-423	-514
11	AUTO	426.75	-514
12	Y	592	-514
13	X	592	120.25
14	VSS	592	280.25

* CHIP SIZE ~ 1.43 x 1.27 mm²

* IC substrate should be connected to VDD in PCB (PCB 上 IC 必须接 VDD)

* All specs and applications shown above subject to change without prior notice.

(以上电路及规格仅供参考,本公司得径行修正)