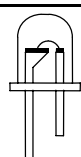


VDD CONTROL
RGB LED IC (Source)

电源控制
三色灯 LED IC

LED FLASH	
M1343	

FEATURES 功能叙述

- Minimum external component (without limit current resister).
- Built-in oscillator.
- LED : Source output (PN Junction LED)
- Easy assemble on LED frame.

P/N	FUNCTION
M1343-1	七彩渐明渐暗

APPLICATION 产品应用

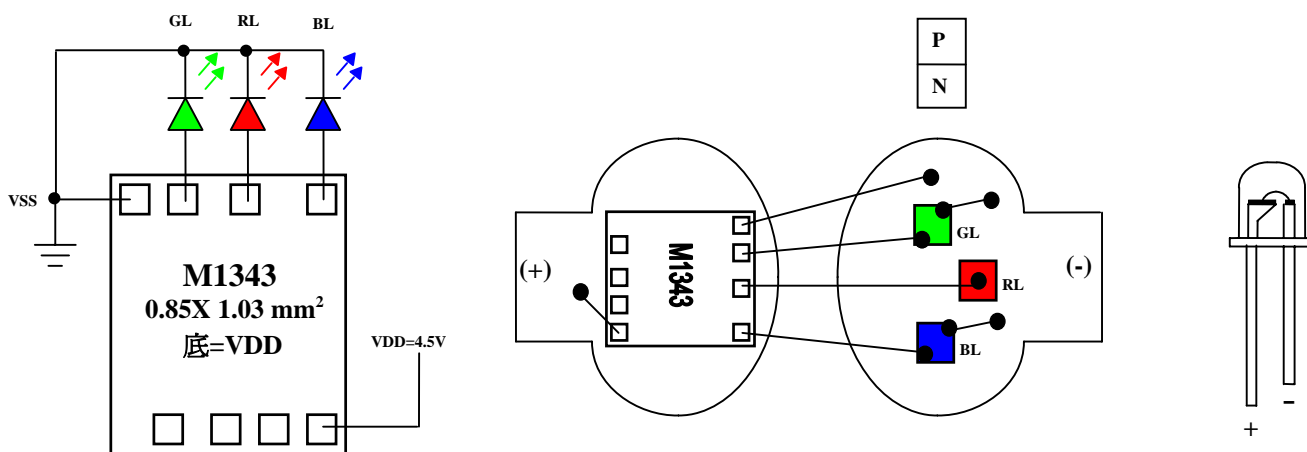
- Blinking LED, Function indicator, R.G.B Mix etc..

ELECTRICAL CHARACTERISTICS 电气规格

(@V_{DD}=4.5V unless otherwise specified)

Characteristics	Sym.	Min.	Typ.	Max.	Unit	REMARKS
工作电压 Operating Voltage	V _{DD}	—	4.5	5.5	V	
工作电流 Operating Current	I _{OP}	—	0.1	0.5	mA	No load
推动电流 Driving Current	I _{OL}	20	—	—	mA	@V _f = 2.3 V ,RL
		20	—	—	mA	@V _f = 3.5 V ,GL,BL
振荡频率 Oscillator Frequency	F _{OSC}	—	128	—	KHz	± 30% TOL.
工作温度 Operating Temperature	Temp.	0	25	60	°C	

APPLICATION DIAGRAM 参考电路图



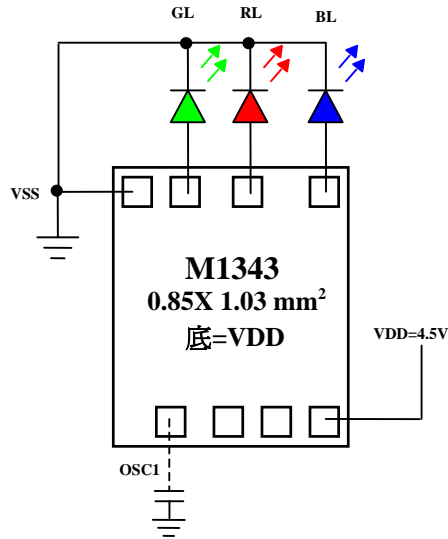
*All specs and applications shown above subject to change without prior notice.
(以上电路及规格仅供参考,本公司得径行修正)



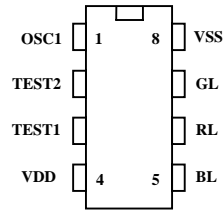
VDD CONTROL
RGB LED IC (Source)

电源控制
三色灯 LED IC

LED FLASH	
M1343	



M1343P



* 外加电容减慢

* M1343-1 (七彩渐明渐暗)

