



IR CONTROL	
M3010	

IR TV/VCD TRANSMITTER

IR 控制器

**FEATURES 功能叙述**

- PIN compatible with SAA3010.
- DO with a 38 KHz carrier for IR.

**APPLICATION 产品应用**

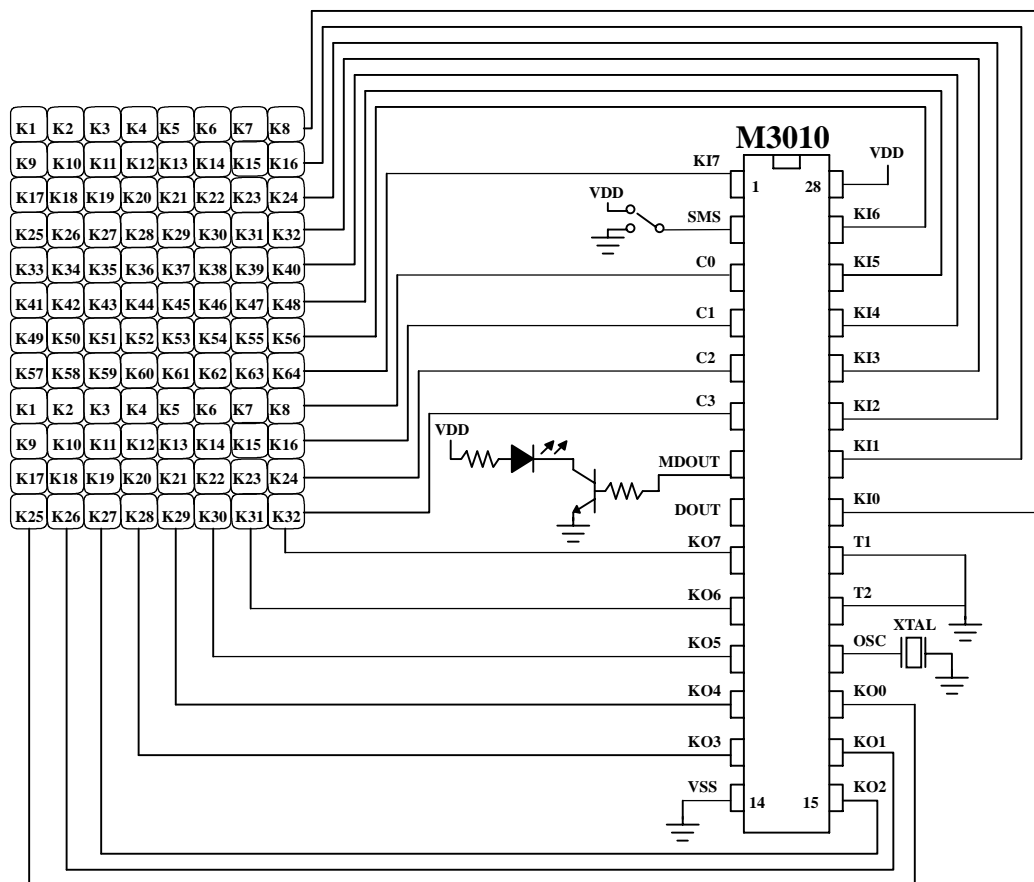
- TV/VCD/Audio equipment.

**ELECTRICAL CHARACTERISTICS 电气规格**

( @VDD=3V unless otherwise specified )

Characteristics	Sym.	Min.	Typ.	Max.	Unit	REMARKS
工作电压 Operating Voltage	V <sub>DD</sub>	2.4	3	5	V	
工作电流 Operating Current	I <sub>OP</sub>	—	0.3	1	mA	No load
静态电流 Quiescent Current	I <sub>SB</sub>	—	1	10	μ A	
推动电流 Driving Current	I <sub>OL</sub>	—	2	—	mA	@ V <sub>DS</sub> =1.2V
振荡频率 Oscillator Frequency	F <sub>OSC</sub>	—	455	—	KHz	External ± 30%
工作温度 Operating Temperature	Temp.	0	25	60	°C	

**APPLICATION DIAGRAM 参考电路图**



\* All specs and applications shown above subject to change without prior notice.  
( 以上电路及规格仅供参考,本公司得径行修正 )