



2²⁰ OTP ENCODER

GENERAL DESCRIPTION

The M320EB is a 2²⁰ services of encoder pair with M320D utilizing CMOS LSI design for use in remote control system. The M320EB is design by a one-time programmable process. They decide the transmission word of M320EB that compose of 4 data bits, 20 address bits. A transmission word of the M320EB is transmitted on the DO pin via an RF transmission medium upon receipt of a trigger signal.

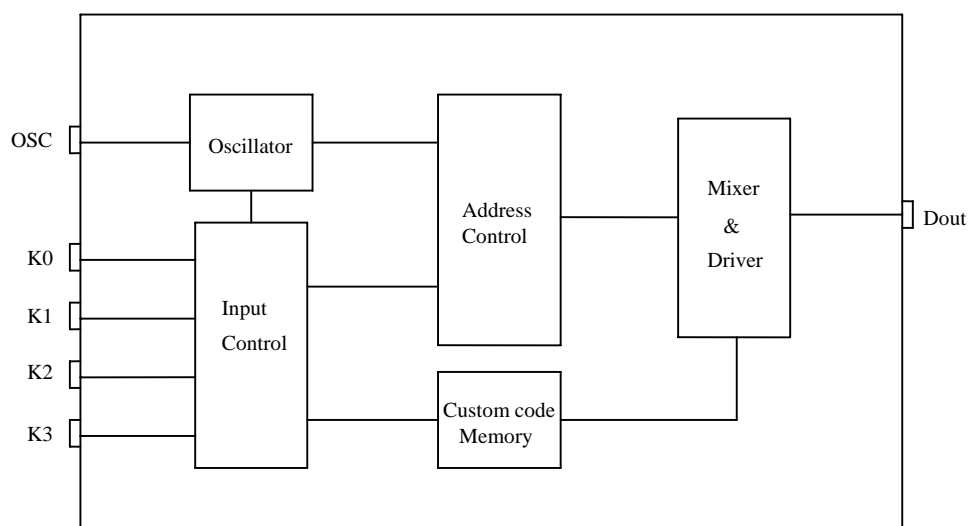
FEATURES

- 4 direct data input pins, Up to 15 data combination.
- 12 seconds auto transmission out off to reduce power consumption.
- Up to 2²⁰ (1,048,576) address codes.
- An external oscillation resister.
- One-time programmable process.
- Available in SOP or DIP package.

APPLICATIONS

- Burglar alarm system, car door controllers, car alarm system, home/office security system...etc.

BLOCK DIAGRAM





2²⁰ OTP ENCODER

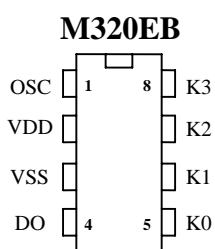
ABSOLUT MAXIMUM RATING

Parameter	Rating	Unit
Supply Voltage	2.4 to 12	V
Input Voltage	-0.7~V _{DD} +0.3	V
Operating Temperature	-20 to 70	°C
Storage Temperature	-55 to +125	°C

ELECTRICAL CHARACTERISTICS

Characteristics	Sym.	Min.	Typ.	Max.	Unit	REMARKS
Operating Voltage	V _{DD}	2.4	—	12	V	
Operating Current	I _{OP}	—	0.3	—	mA	No load
Quiescent Current	I _{SB}	—	1	3	μA	@V _{DS} =1.2V
Input Voltage	V _{IH}	0.7V _{DD}	—	V _{DD}	V	
	V _{IL}	0	—	0.3V _{DD}		
Output Current	I _O	—	2	—	mA	
Oscillator Frequency	F _{osc}	—	80	—	KHz	External±30%, R _{osc} =300KΩ

PIN DESCRIPTION



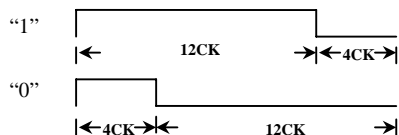
NO.	Name	I/O	Description
1	OSC	I	Oscillator input pin
2	VDD	—	Positive power supply
3	VSS	—	Negative power supply (GND)
4	DO	O	Encoder data serial transmission output
5	K0	I	Input pin D0 setting and transmission output
6	K1	I	Input pin D1 setting and transmission output
7	K2	I	Input pin D2 setting and transmission output
8	K3	I	Input pin D3 setting and transmission output



2²⁰ OTP ENCODER

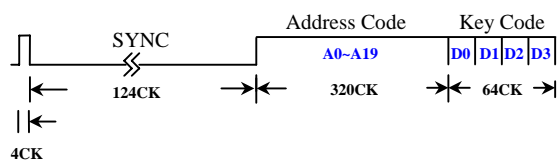
CODE FORMAT

(1) Bit format



DEFINITE : 1CK= 8 OSC CLKS WIDTH

(2) Output Data Frame



(3) K0~K3 Combination Table

KEY				DATA			
K3	K2	K1	K0	D3	D2	D1	D0
0	0	0	1	0	0	0	1
0	0	1	0	0	0	1	0
0	0	1	1	0	0	1	1
0	1	0	0	0	1	0	0
0	1	0	1	0	1	0	1
0	1	1	0	0	1	1	0
0	1	1	1	0	1	1	1
1	0	0	0	1	0	0	0
1	0	0	1	1	0	0	1
1	0	1	0	1	0	1	0
1	0	1	1	1	0	1	1
1	1	0	0	1	1	0	0
1	1	0	1	1	1	0	1
1	1	1	0	1	1	1	0
1	1	1	1	1	1	1	1

Note : 1 = VDD

0 = VSS

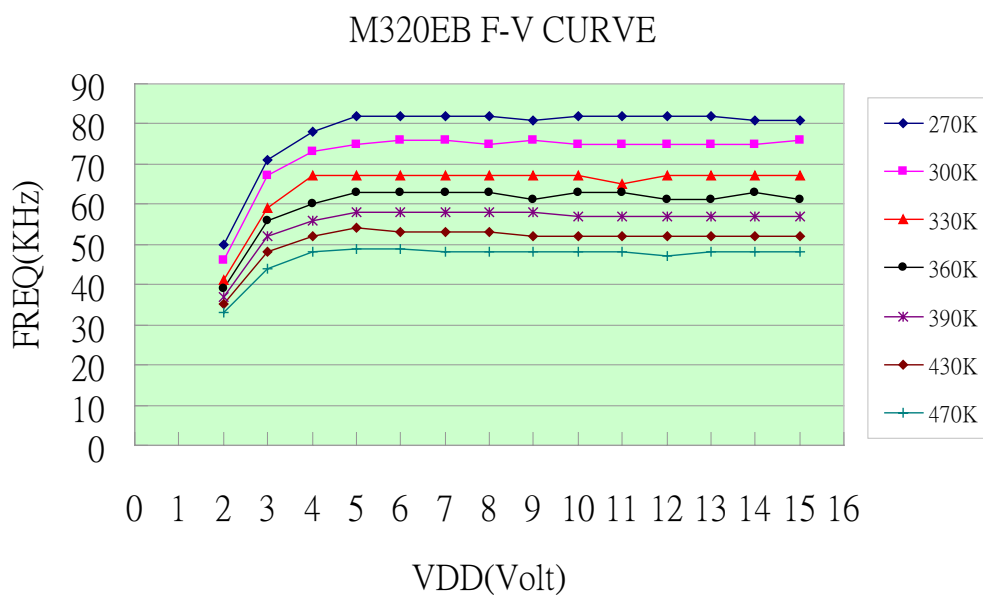


2²⁰ OTP ENCODER

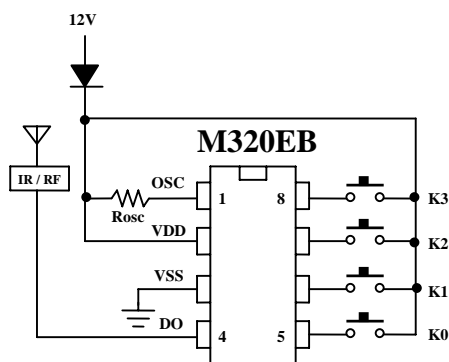
SINGLE RESISTOR OSCILLATOR

The typical oscillator frequency with various resistor values for M320EB is given below :

Encoder (M320EB) Oscillator Frequency



APPLICATION DIAGRAM



*All specs and applications shown above subject to change without prior notice.
(以上電路及規格僅供參考,本公司得逕行修正)