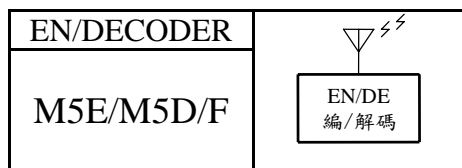




3-STATE 531,441 CODES
BUILT-IN IR CARRIER
DIRECT DATA TRANSMIT

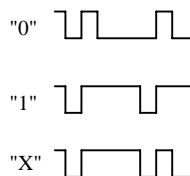
3 态 531,441 码
内建红外线发射器
可单键发射



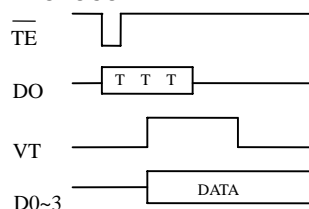
FEATURES 功能叙述

- Built-in IR carrier — suffix-IR.
- Momentary DATA — suffix-M.
- Direct Data Transmit type — M5E-H: Switch to VDD.
- S.O.Package 18P — suffix-S.

BIT FORMAT



PROTOCOL



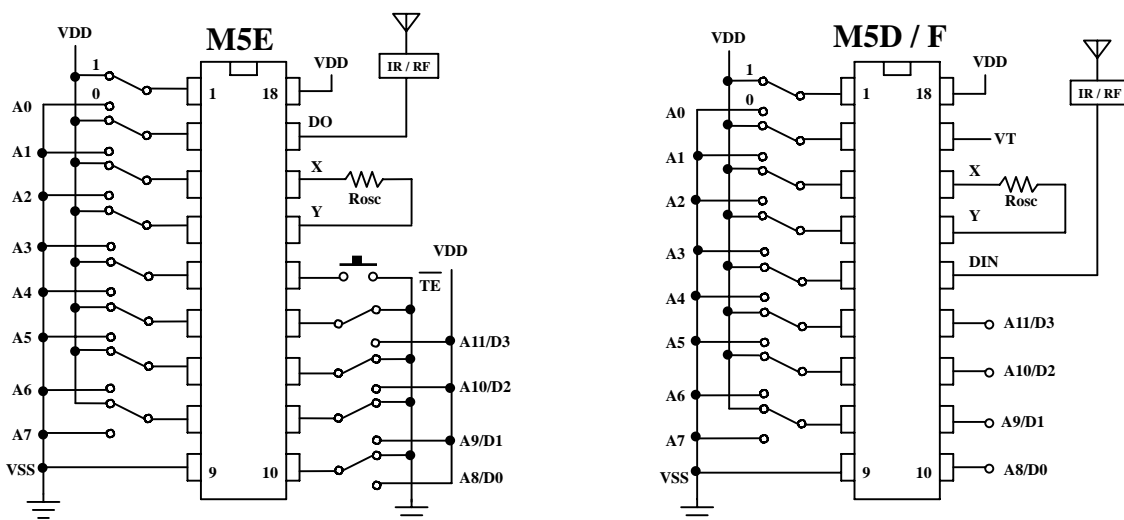
APPLICATION 产品应用

- Security alarm, Remote control. 防盗系统, 任何遥控装置.

ELECTRICAL CHARACTERISTICS 电气规格

Characteristics	Sym.	Min.	Typ.	Max.	Unit	REMARKS
工作电压 Operating Voltage	V_{DD}	2.4	—	13	V	
工作电流 Operating Current	I_{OP}	—	0.1	1	mA	No load
静态电流 Quiescent Current	I_{SB}	—	1	10	μA	
推动电流 Driving Current	I_{OL}	—	2	—	mA	@ $V_{DS}=1.2V$
振荡频率 Oscillator Frequency	F_{OSC}	—	76	—	KHz	External $\pm 30\%$
工作温度 Operating Temperature	Temp.	-20	25	60	$^{\circ}C$	

APPLICATION DIAGRAM 参考电路图



*All specs and applications shown above subject to change without prior notice.

(以上电路及规格仅供参考,本公司得行修正)