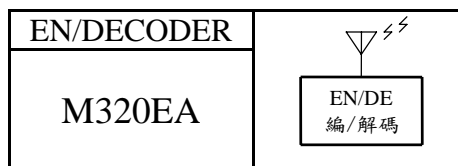




2-STATE 1048576 CODES

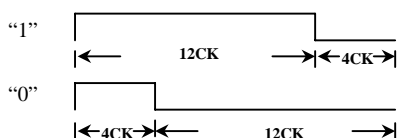
OTP ENCODER



FEATURES 功能叙述

- Up to 4 data transmit.
- One pin oscillator.

BIT FORMAT



DEFINITE : 1CK= 8 OSC CLKs

KEY				DATA			
K3	K2	K1	K0	D3	D2	D1	D0
0	0	0	1	0	0	0	1
0	0	1	0	0	0	1	0
0	0	1	1	0	0	1	1
0	1	0	0	0	1	0	0
0	1	0	1	0	1	0	1
0	1	1	0	0	1	1	0
0	1	1	1	0	1	1	1
1	0	0	0	1	0	0	0
1	0	0	1	1	0	0	1
1	0	1	0	1	0	1	0
1	0	1	1	1	0	1	1
1	1	0	0	1	1	0	0
1	1	0	1	1	1	0	1
1	1	1	0	1	1	1	0
1	1	1	1	1	1	1	1

APPLICATION 产品应用

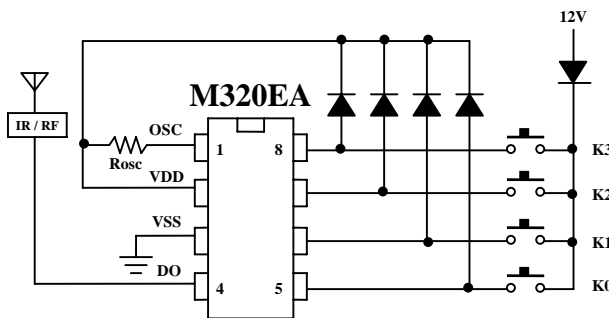
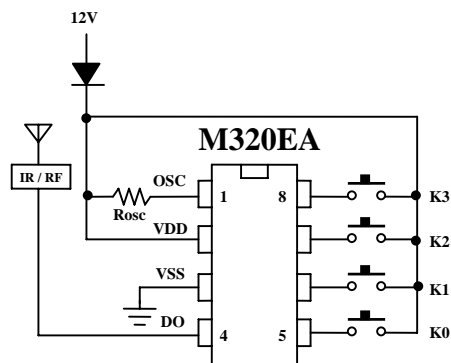
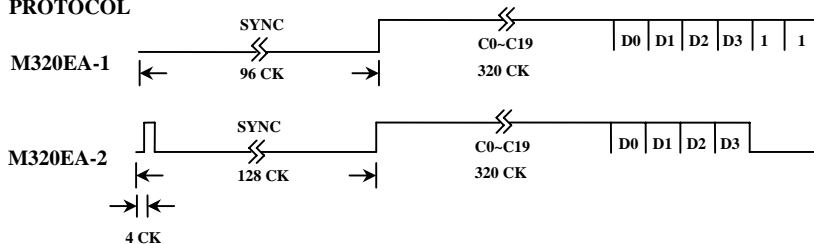
- Security alarm, Remote control. 防盗系统, 任何遥控装置.

ELECTRICAL CHARACTERISTICS 电气规格

Characteristics	Sym.	Min.	Typ.	Max.	Unit	REMARKS
工作电压 Operating Voltage	V_{DD}	2.4	—	13	V	
工作电流 Operating Current	I_{OP}	—	0.3	1	mA	No load
静态电流 Quiescent Current	I_{SB}	—	1	10	μA	
推动电流 Driving Current	I_{OL}	—	2	—	mA	@ $V_{DS}=1.2V$
振荡频率 Oscillator Frequency	F_{OSC}	—	76	—	KHz	External $\pm 30\%$, $R_{osc} = 300K \Omega$
工作温度 Operating Temperature	Temp.	-20	25	75	$^{\circ}C$	

APPLICATION DIAGRAM 参考电路图

PROTOCOL



*All specs and applications shown above subject to change without prior notice.
(以上电路及规格仅供参考, 本公司得行修正)