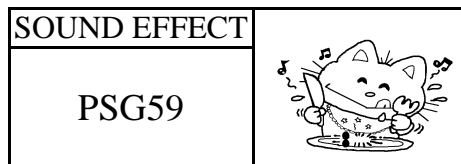




DOOR BELL
DUAL TONE

双音门铃 1/2/3 声



FEATURES 功能叙述

- PSG59 KEY INPUTS :
K1—DING DONG
K2—DING DING
K3—DING (CHOPPED)
3T—3 CYCLES OPTION

P/N	TIMES
PSG59	1/3 声
PSG592	1/2 声

APPLICATION 产品应用

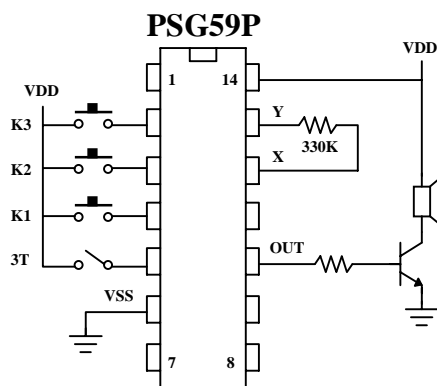
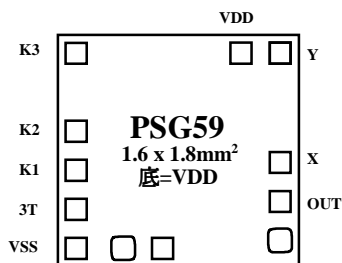
- Doorbell, Musical instrument, Toys.

ELECTRICAL CHARACTERISTICS 电气规格

(@V_{DD}=3V unless otherwise specified)

Characteristics	Sym.	Min.	Typ.	Max.	Unit	REMARKS
工作电压 Operating Voltage	V _{DD}	—	3	3.5	V	
工作电流 Operating Current	I _{OP}	—	0.1	0.5	mA	No load
静态电流 Quiescent Current	I _{SB}	—	1	5	μA	
推动电流 OUT Driving Current	I _O	1	—	—	mA	@ V _{DS} =1V
振荡频率 Oscillator Frequency	F _{OSC}	—	50	—	KHz	External ± 30%
工作温度 Operating Temperature	Temp.	0	25	60	°C	

APPLICATION DIAGRAM 参考电路图



*All specs and applications shown above subject to change without prior notice.
(以上电路及规格仅供参考,本公司得径行修正)