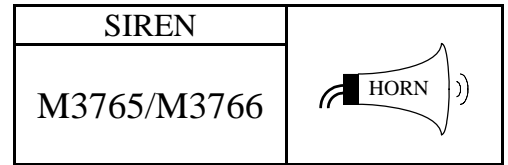




HORN/SIREN  
WITH SOFT CHIRP  
6 ALARM SOUNDS

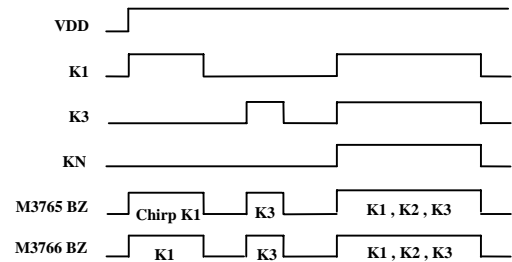
警报喇叭专用  
附唧声  
6种警报声 IC



FEATURES 功能叙述

- K1 to K6 cascade.
- Level-hold operation.
- LED flash output.
- Soft chirp: 200ms

P/N	REMARK
M3765	6 Sounds with soft chirp
M3766	6 Sounds



APPLICATION 产品应用

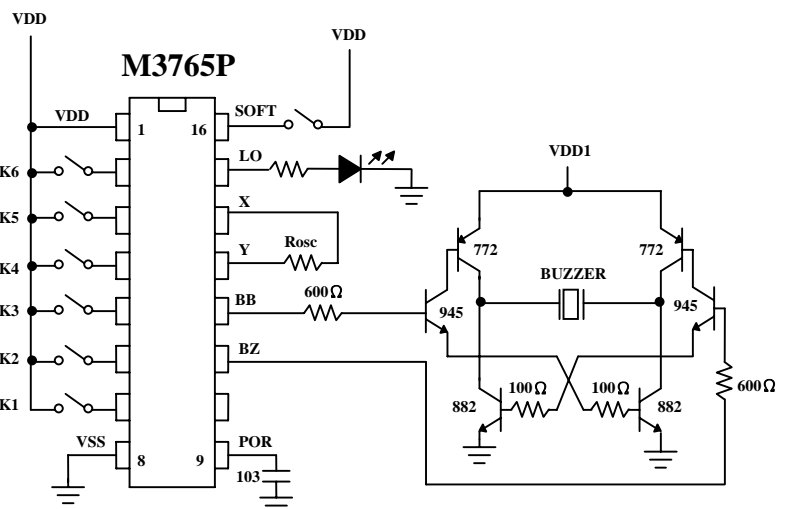
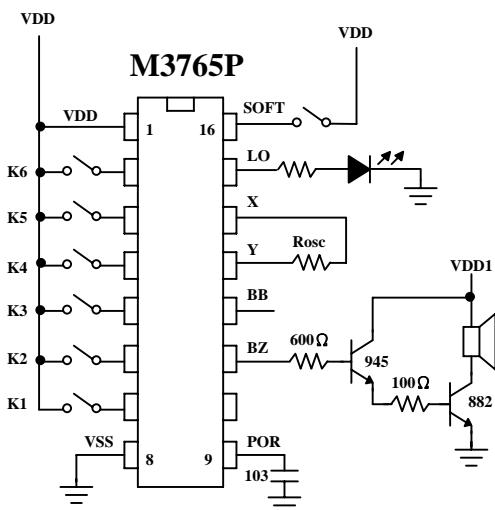
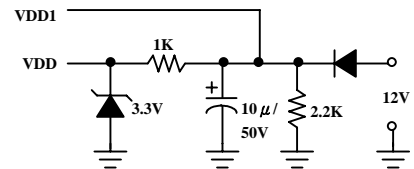
- Alarm system, Horn etc..

ELECTRICAL CHARACTERISTICS 电气规格

( @  $V_{DD}=3.5V$  unless otherwise specified )

Characteristics	Sym.	Min.	Typ.	Max.	Unit	REMARKS
工作电压 Operating Voltage	$V_{DD}$	—	3.5	4.9	V	
工作电流 Operating Current	$I_{OP}$	—	0.1	0.5	mA	No load
推动电流 BZ Driving Current	$I_O$	1	—	—	mA	@ $V_{DS}=1V$
推动电流 LO Driving Current	$I_{OL}$	6	—	—	mA	@ $V_{DS}=1.2V$
振荡频率 Oscillator Frequency	$F_{OSC}$	—	128	—	KHz	External $\pm 30%$ , $R_{osc}=120K \Omega$
工作温度 Operating Temperature	Temp.	0	25	60	$^{\circ}C$	

APPLICATION DIAGRAM 参考电路图




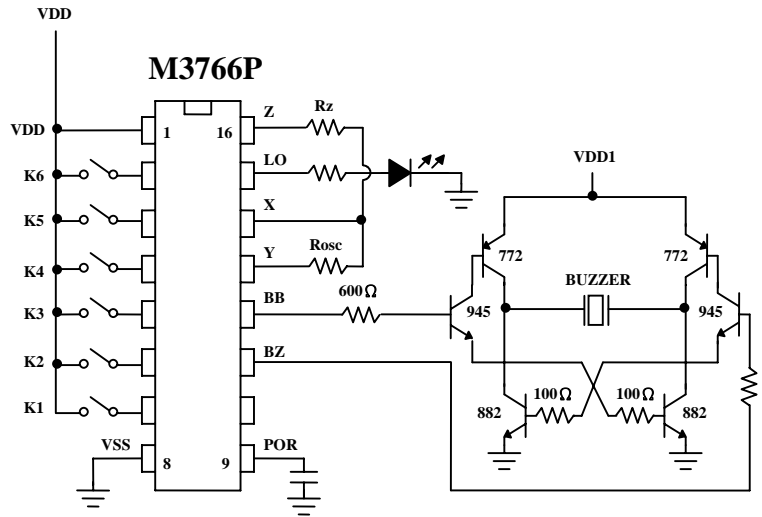
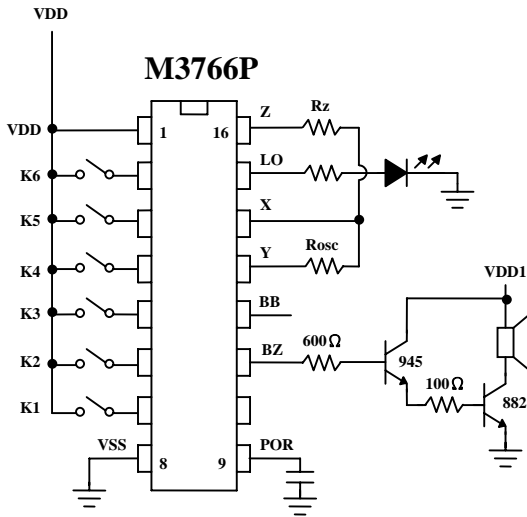
\* All specs and applications shown above subject to change without prior notice.  
( 以上电路及规格仅供参考,本公司得径行修正 )



HORN/SIREN  
WITH SOFT CHIRP  
6 ALARM SOUNDS

警報喇叭專用  
附唧聲  
6 種警報聲 IC

SIREN	
M3765/M3766	



\* All specs and applications shown above subject to change without prior notice.  
( 以上电路及规格仅供参考,本公司得径行修正 )