


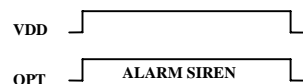
VDD CONTROL
ALARM SOUND

电源控制
警报声 IC

| | |
|-------|---|
| SIREN |  |
| M3764 | |

.FEATURES 功能叙述

- Alarm siren sound.
- Minimum external component.
- OPT: OPEN = 1 sound
VDD = 1 sound with soft chirp
Soft chirp = 200ms



APPLICATION 产品应用

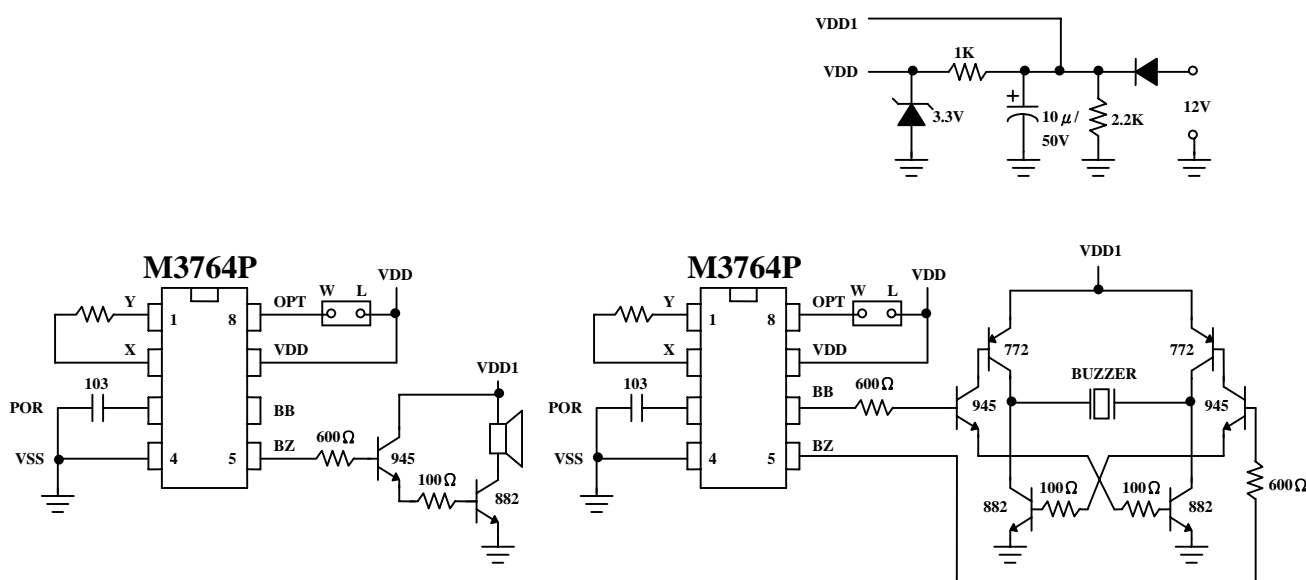
- Alarm system, Horn etc..

ELECTRICAL CHARACTERISTICS 电气规格

(@V_{DD}=3.5V unless otherwise specified)

| Characteristics | Sym. | Min. | Typ. | Max. | Unit | REMARKS |
|----------------------------|------------------|------|------|------|------|---|
| 工作电压 Operating Voltage | V _{DD} | — | 3.5 | 4.5 | V | |
| 工作电流 Operating Current | I _{OP} | — | 0.1 | 0.5 | mA | No load |
| 推动电流 BZ Driving Current | I _O | 1 | — | — | mA | @V _{DS} =1V |
| 推动电流 LO Driving Current | I _{OL} | 6 | — | — | mA | @V _{DS} =1.2V |
| 振荡频率 Oscillator Frequency | F _{OSC} | — | 200 | — | KHz | External ± 30%, R _{osc} =68K Ω |
| 工作温度 Operating Temperature | Temp. | 0 | 25 | 60 | °C | |

APPLICATION DIAGRAM 参考电路图



* All specs and applications shown above subject to change without prior notice.
(以上电路及规格仅供参考,本公司得径行修正)