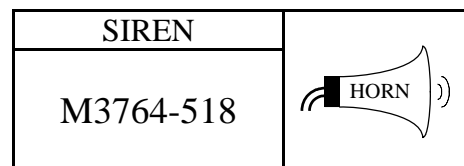


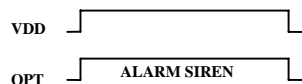
VDD CONTROL
ALARM SOUND

电源控制
警报声 IC



.FEATURES 功能叙述

- Power on control.
- One programmable sound output.
- OPT: VDD = 1 sound
OPEN = 1 sound with soft chirp
Soft chirp = 1 sec.



APPLICATION 产品应用

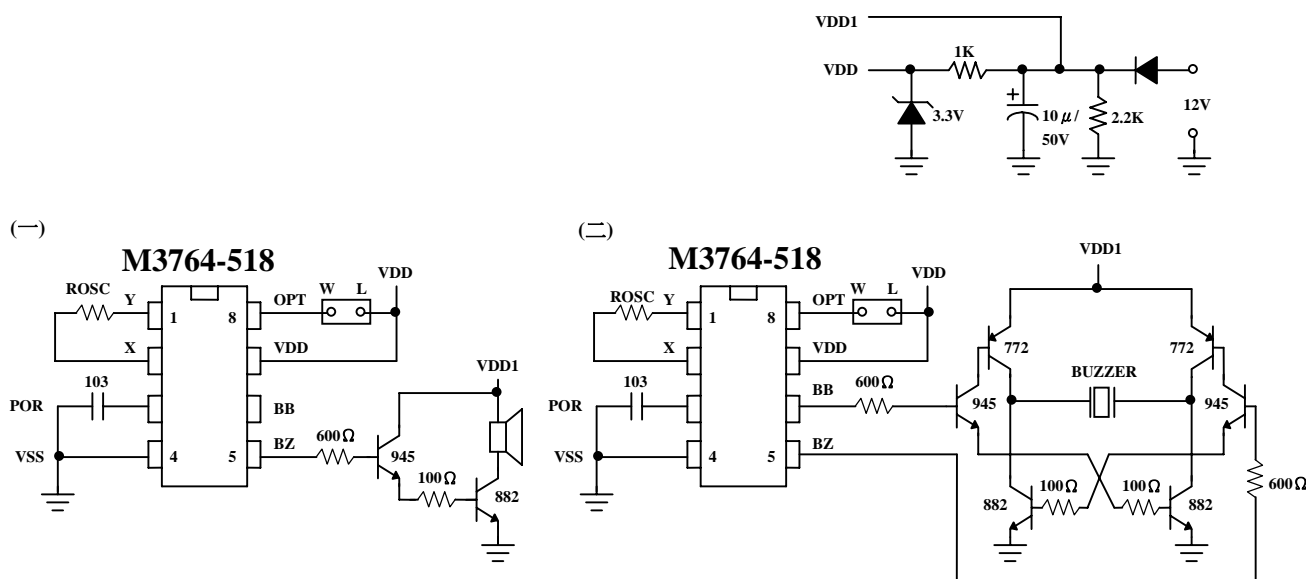
- Alarm system, Horn etc..

ELECTRICAL CHARACTERISTICS 电气规格

(@V_{DD}=3.5V unless otherwise specified)

Characteristics	Sym.	Min.	Typ.	Max.	Unit	REMARKS
工作电压 Operating Voltage	V _{DD}	—	3.5	5	V	
工作电流 Operating Current	I _{OP}	—	0.1	0.5	mA	No load
推动电流 BZ Driving Current	I _O	1	—	—	mA	@V _{DS} =1V
推动电流 LO Driving Current	I _{OL}	6	—	—	mA	@V _{DS} =1.2V
振荡频率 Oscillator Frequency	F _{OSC}	—	256	—	KHz	External ± 30%
工作温度 Operating Temperature	Temp.	0	25	60	°C	

APPLICATION DIAGRAM 参考电路图



* All specs and applications shown above subject to change without prior notice.

(以上电路及规格仅供参考,本公司得径行修正)