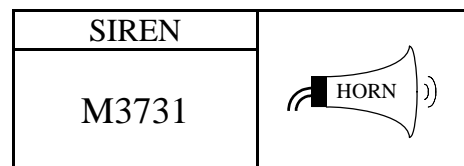




4 SIRENS & MACHINE GUN  
2 LEDS BLINKING

带灯 4 种警报声 IC



FEATURES 功能叙述

- One-shot / Level-hold option.
- 2 LEDS BLINKING.
- PS: Sequence input key.
- MOTOR: Active High.

KEY	SOUND LIST	M3731	M3731-1	M3731-2	M3731-3
K1	FIRE ENGINE SIREN	1 Time	2 Time	1 Time	2 Time
K2	AMBULANCE SIREN	2 Time	16 Time	2 Time	16 Time
K3	POLICE SIREN	2 Time	16 Time	2 Time	16 Time
K4	MACHINE GUN	2 Time	2 Time	2 Time	2 Time
PS	SEQUENCE KEY				
LED	( @VDD=3V Typ. )	2mA	2ma	6mA	6mA
MOTOR		NO	NO	YES	YES

APPLICATION 产品应用

- Toys, Key chain, Alarm system, Musical instrument.

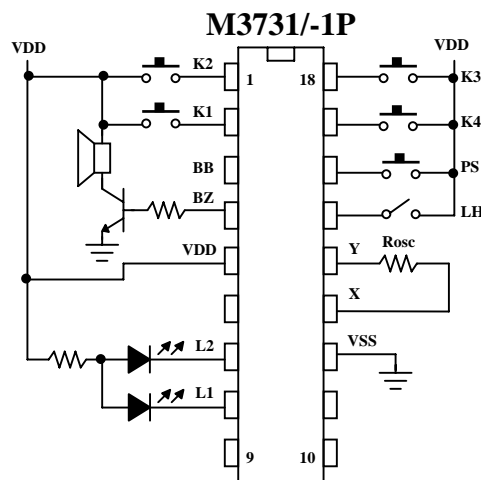
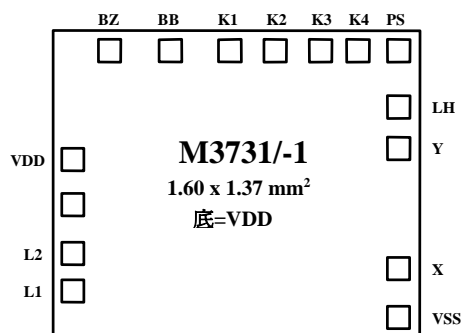
ELECTRICAL CHARACTERISTICS 电气规格

( @V<sub>DD</sub>=3V unless otherwise specified )

Characteristics	Sym.	Min.	Typ.	Max.	Unit	REMARKS
工作电压 Operating Voltage	V <sub>DD</sub>	—	3	4.5	V	
工作电流 Operating Current	I <sub>OP</sub>	—	0.1	0.5	mA	No load
静态电流 Quiescent Current	I <sub>SB</sub>	—	1	5	μA	
推动电流 BZ Driving Current	I <sub>O</sub>	1	—	—	mA	@V <sub>DS</sub> =1V
推动电流 LO Driving Current	I <sub>OL</sub>	2	—	—	mA	@V <sub>DS</sub> =1.2V
振荡频率 Oscillator Frequency	F <sub>OSC</sub>	—	100	—	KHz	External ±30%, Rosc=180K Ω
工作温度 Operating Temperature	Temp.	0	25	60	°C	

APPLICATION DIAGRAM 参考电路图

•(A) M3731/M3731-1




\*All specs and applications shown above subject to change without prior notice.

( 以上电路及规格仅供参考,本公司得径行修正 )



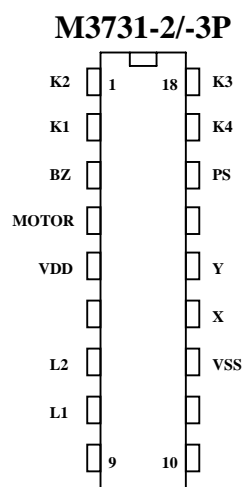
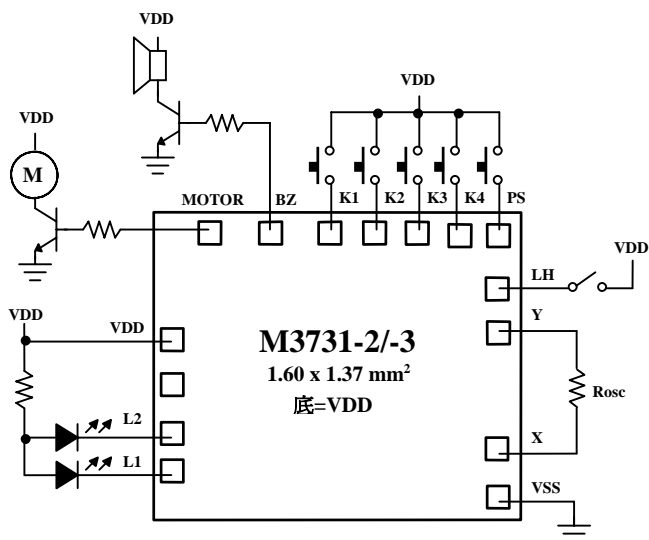
4 SIRENS & MACHINE GUN  
2 LEDS BLINKING

带灯 4 种警报声 IC

SIREN	
M3731	

APPLICATION DIAGRAM 参考电路图

(B) M3731-2/M3731-3



\*All specs and applications shown above subject to change without prior notice.  
( 以上电路及规格仅供参考,本公司得径行修正 )