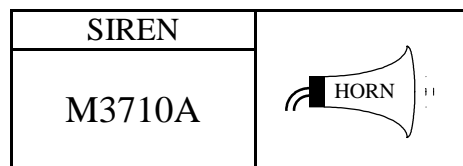




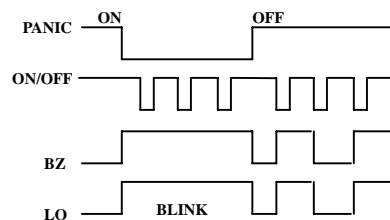
ON/OFF
SIREN

警报声 IC - 1 声



FEATURES 功能叙述

- Alarm siren sound.
- ON/OFF: toggle switch.
- PANIC: continuous.
- LO: 2 Hz LED flash output.



APPLICATION 产品应用

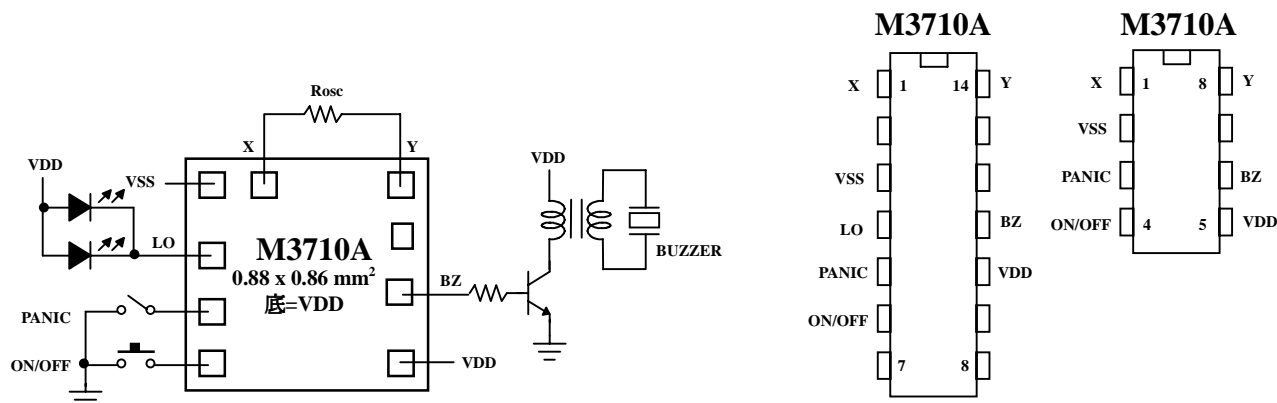
- Alarm system.

ELECTRICAL CHARACTERISTICS 电气规格

(@V_{DD}=3V unless otherwise specified)

| Characteristics | Sym. | Min. | Typ. | Max. | Unit | REMARKS |
|----------------------------|------------------|------|------|------|------|---|
| 工作电压 Operating Voltage | V _{DD} | — | 3 | 3.5 | V | |
| 工作电流 Operating Current | I _{OP} | — | 0.1 | 0.5 | mA | No load |
| 静态电流 Quiescent Current | I _{SB} | — | 1 | 5 | μA | |
| 推动电流 BZ Driving Current | I _O | 10 | 20 | — | mA | @ V _{DS} =1.2V |
| 推动电流 LO Driving Current | I _{OL} | 2 | — | — | mA | @ V _{DS} =1V |
| 振荡频率 Oscillator Frequency | F _{OSC} | — | 200 | — | KHz | External ±30%, R _{osc} =120K Ω |
| 工作温度 Operating Temperature | Temp. | 0 | 25 | 60 | °C | |

APPLICATION DIAGRAM 参考电路图




*All specs and applications shown above subject to change without prior notice.

(以上电路及规格仅供参考,本公司得径行修正)

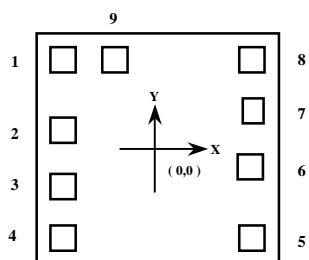


ON/OFF
SIREN

警报声 IC - 1 声

| | |
|--------|---|
| SIREN |  |
| M3710A | |

ASSIGNMENT & POSITION



UNIT : um

| No. | NAME | X | Y |
|-----|--------|--------|--------|
| 1 | VSS | -316 | 303 |
| 2 | LO | -316 | 64.5 |
| 3 | PANIC | -316 | -129 |
| 4 | ON/OFF | -316 | -306 |
| 5 | VDD | 316.25 | -306 |
| 6 | BZ | 316.25 | -66.5 |
| 7 | TEST | 316.25 | 131.75 |
| 8 | Y | 316.25 | 303 |
| 9 | X | -139 | 303 |

* CHIP SIZE ~ 0.88 x 0.86 mm²

* IC substrate should be connected to VDD in PCB (PCB 上 IC 必须接 VDD)