



SOUND EFFECT

M51A/-1



GHOST SOUND

鬼叫聲 IC

FEATURES 功能敘述

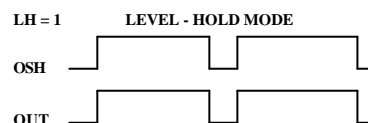
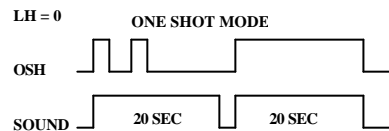
Built-in oscillator.

Auto-power-off.

ONE SHOT (LH=0)

LEVEL-HOLD (LH=1)

P/N	TIME	TG
M51A	16~20 SEC	OSH/LH
M51A-1	8~10 SEC	OSH



APPLICATION 產品應用

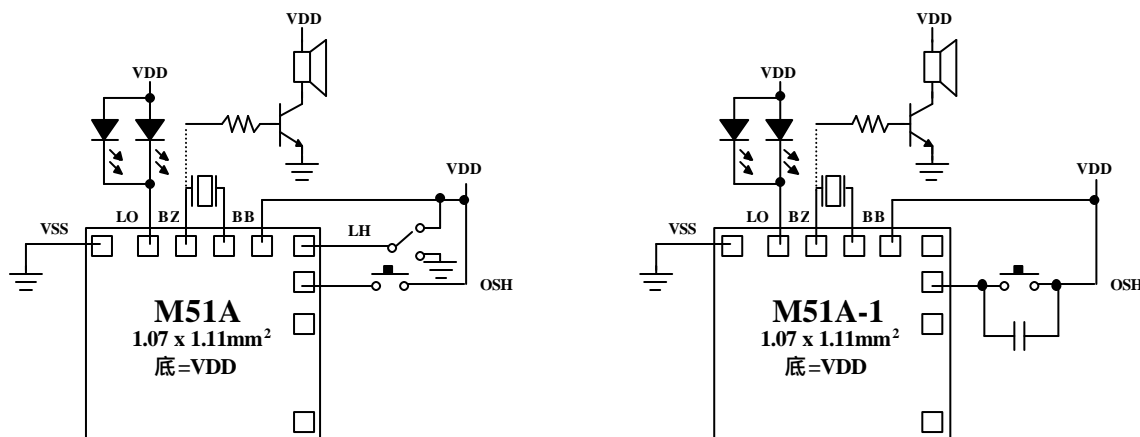
Toys, Key Finder, Alarm system, Musical instrument, TV/Arcade game.

ELECTRICAL CHARACTERISTICS 電氣規格

( @  $V_{DD}=3V$  unless otherwise specified )

Characteristics	Sym.	Min.	Typ.	Max.	Unit	REMARKS
工作電壓 Operating Voltage	$V_{DD}$		3	3.5	V	
工作電流 Operating Current	$I_{OP}$		0.1	0.5	mA	No load
靜態電流 Quiescent Current	$I_{SB}$		1	5	uA	
推動電流 BZ Driving Current	$I_O$	1			mA	@ $V_{DS}=1V$
推動電流 LO Driving Current	$I_{OL}$	2			mA	@ $V_{DS}=1.2V$
振盪頻率 Oscillator Frequency	$F_{OSC}$		100		KHz	$\pm 30\%$ TOL.
工作溫度 Operating Temperature	Temp.	0	25	60		

APPLICATION DIAGRAM 參考電路圖



\*All specs and applications shown above subject to change without prior notice.

( 以上電路及規格僅供參考,本公司得逕行修正 )



SOUND EFFECT

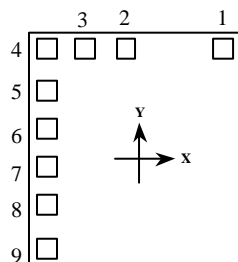
M51A/-1



GHOST SOUND

鬼叫聲 IC

**PAD ASSIGNMENT & POSITION**



UNIT : um

No.	NAME	X	Y
1	T1	351	427
2	TIO	-62	429
3	OSH	-235	427
4	LH	-407	427
5	VDD	-407	238
6	BB	-407	81
7	BZ	-407	-77
8	LO	-407	-234
9	VSS	-407	-429

\* CHIP SIZE ~ 1.07 x 1.11 mm<sup>2</sup>

\* IC substrate should be connected to VDD in PCB (PCB 上 IC 必須接 VDD)

( 以上電路及規格僅供參考,本公司得逕行修正 )