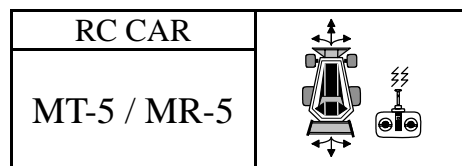




RC CAR
9 FUNCTIONS

9 功能遙控車



FEATURES 功能敘述

- 9 Functions : F, B, TBO, L, R, TG1, TG2 & TG34.
- TG34 : TG3/TG4 control.
- Built-in regulator.

Input condition	O/P condition		
	Forward	Backward	Turbo
Forward	=60Hz	Low	Low
Backward	Low	=60Hz	Low
Forward+Turbo	=High	Low	=High
Backward+Turbo	Low	=High	=High

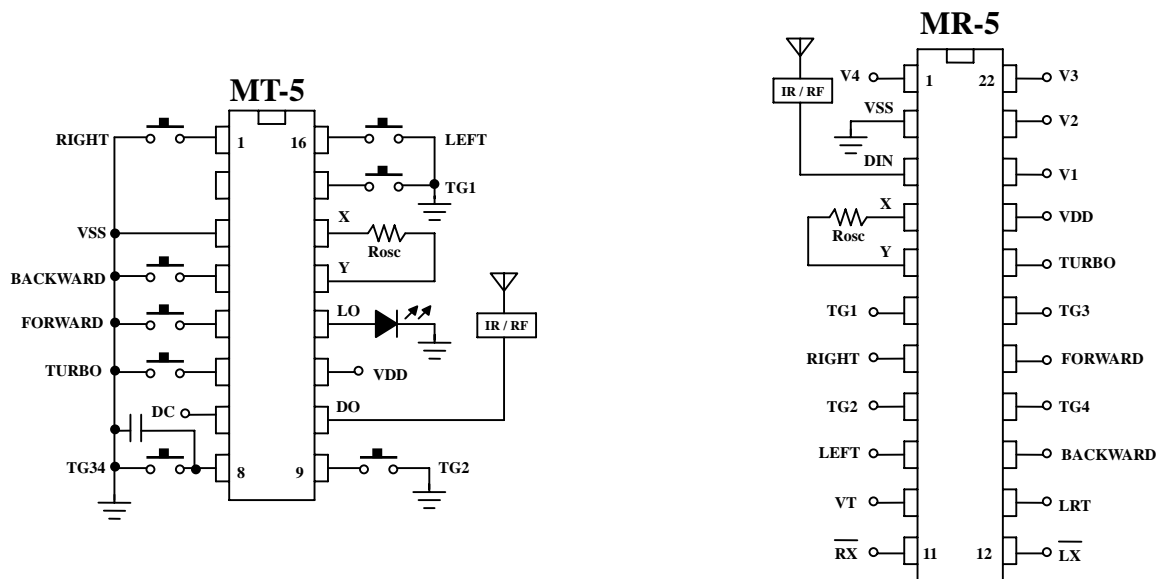
APPLICATION 產品應用

- RC car etc..

ELECTRICAL CHARACTERISTICS 電氣規格

Characteristics	Sym.	Min.	Typ.	Max.	Unit	REMARKS
工作電壓 Operating Voltage	V _{DD}	2.5	9	12	V	MT-5
工作電壓 Operating Voltage	V _{DD}	2.5	4	5	V	MR-5
工作電流 Operating Current	I _{OP}	—	—	3	mA	No load
靜態電流 Quiescent Current	I _{SB}	—	—	10	μA	MT-5 only
振盪頻率 Oscillator Frequency	F _{OSC}	—	128	—	KHz	External±30%
工作溫度 Operating Temperature	Temp.	0	25	60	°C	

APPLICATION DIAGRAM 參考電路圖



* Rosc ~ @9V→MT-5 : 180KΩ ; @4V→MR-5 : 120KΩ

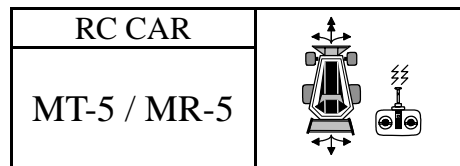
*All specs and applications shown above subject to change without prior notice.

(以上電路及規格僅供參考,本公司得逕行修正)



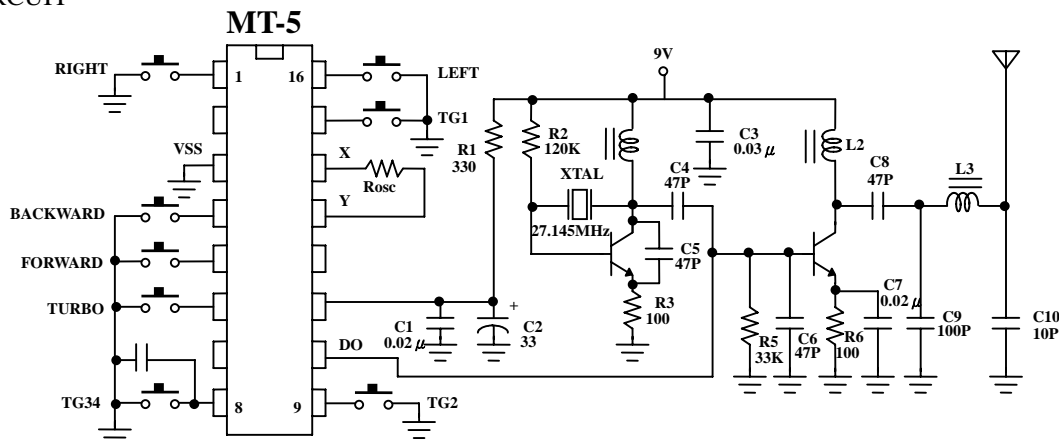
RC CAR
9 FUNCTIONS

9 功能遙控車

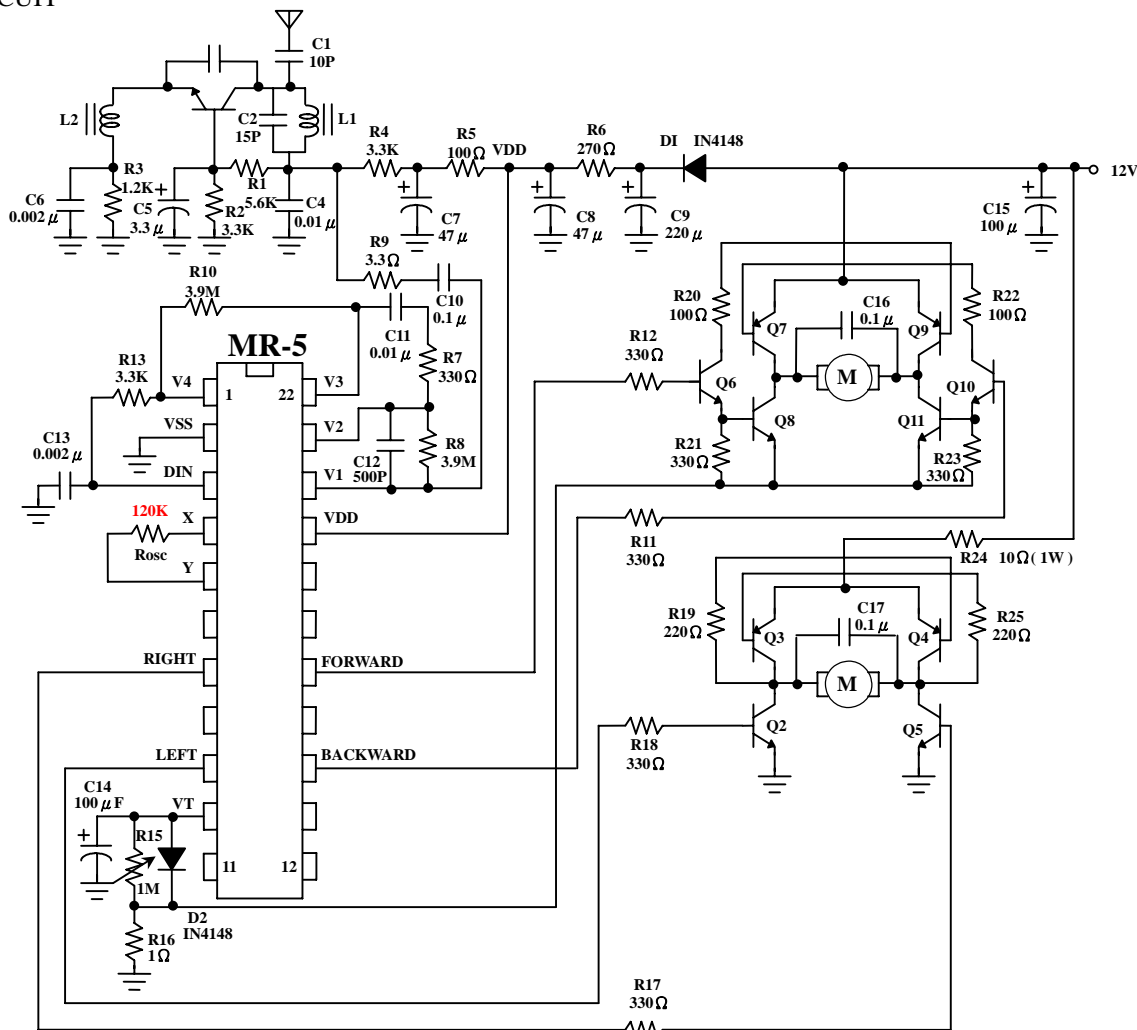


APPLICATION DIAGRAM 參考電路圖

TX CIRCUIT



RX CIRCUIT



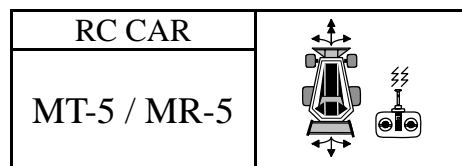
*All specs and applications shown above subject to change without prior notice.

(以上電路及規格僅供參考,本公司得逕行修正)



RC CAR
9 FUNCTIONS

9 功能遙控車



COMBINATION OF FUNCTION

MT-5	MR-5
F	F _z
F+L	F _z +L
F+R	F _z +R
TBO	TBO
TBO+F	TBO+F
TBO+F+L	TBO+F+L
TBO+F+R	TBO+F+R
B	B _z
B+L	B _z +L
B+R	B _z +R
TBO+B	TBO+B
TBO+B+L	TBO+B+L
TBO+B+R	TBO+B+R
L	L
R	R
TG1	TG1
TG1+F	TG1+F _z
TG1+TBO+F	TG1+TBO+F
TG1+TBO	TG1+TBO
TG1+B	TG1+B _z
TG1+TBO+B	TG1+TBO+B
TG1+F+L	TG1+F _z +L
TG1+F+R	TG1+F _z +R
TG1+B+L	TG1+B _z +L
TG1+B+R	TG1+B _z +R
TG1+L	TG1+L
TG1+R	TG1+R

z = 60Hz flash

