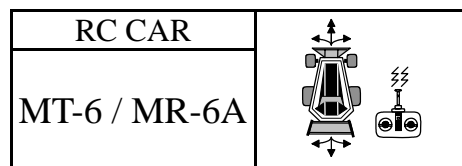


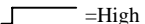
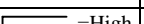
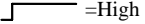
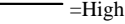
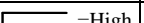
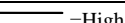
**RC CAR**  
**7 FUNCTIONS**

7 功能遙控車



**FEATURES 功能敘述**

- 7 functions : F, B, TBO, L, R, TG1, TG2 .
- Built-in regulator.

Input condition	O/P condition		
	Forward	Backward	Turbo
Forward	 =High	Low	Low
Backward	Low	 =High	Low
Forward+Turbo	 =High	Low	 =High
Backward+Turbo	Low	 =High	 =High

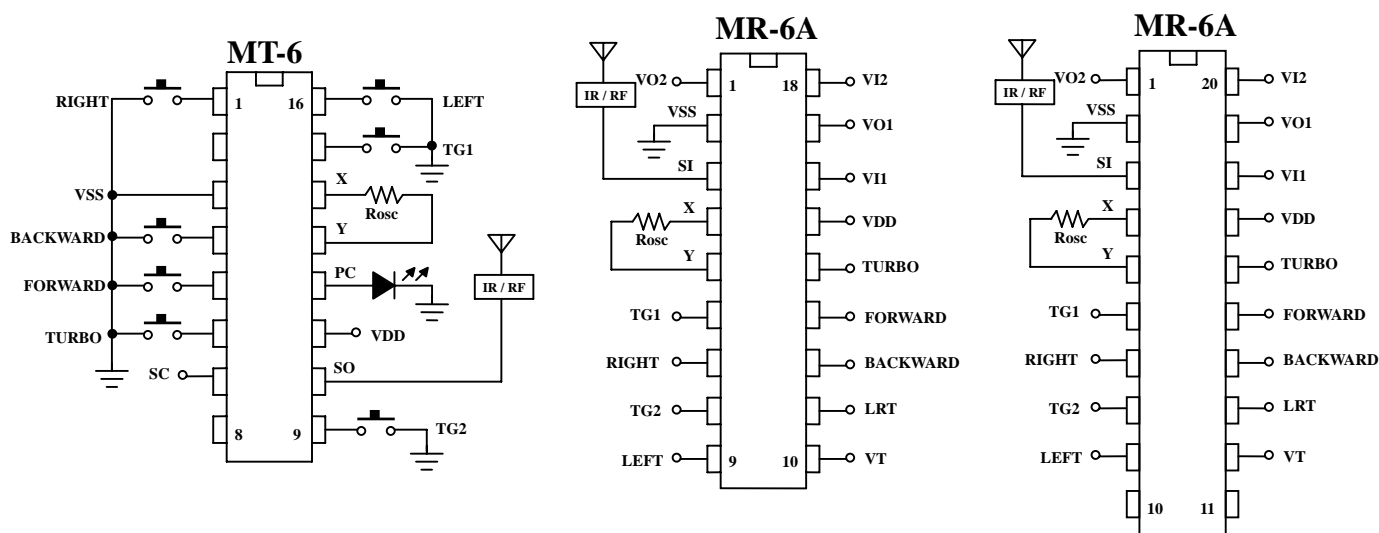
**APPLICATION 產品應用**

- RC car etc..

**ELECTRICAL CHARACTERISTICS 電氣規格**

Characteristics	Sym.	Min.	Typ.	Max.	Unit	REMARKS
工作電壓 Operating Voltage	V <sub>DD</sub>	2.5	9	12	V	MT-6
工作電壓 Operating Voltage	V <sub>DD</sub>	2.5	4	5	V	MR-6A
工作電流 Operating Current	I <sub>OP</sub>	—	—	3	mA	No load
靜態電流 Quiescent Current	I <sub>SB</sub>	—	—	10	μA	MT-6 only
振盪頻率 Oscillator Frequency	F <sub>OSC</sub>	—	128	—	KHz	External±30%
工作溫度 Operating Temperature	Temp.	0	25	60	°C	

**APPLICATION DIAGRAM 參考電路圖**



\* Rosc ~ MT-6 : @9V, 180KΩ ; MR-6A : @4V, 120KΩ

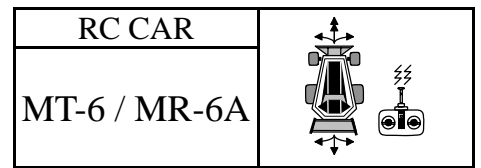
\*All specs and applications shown above subject to change without prior notice.

( 以上電路及規格僅供參考,本公司得逕行修正 )



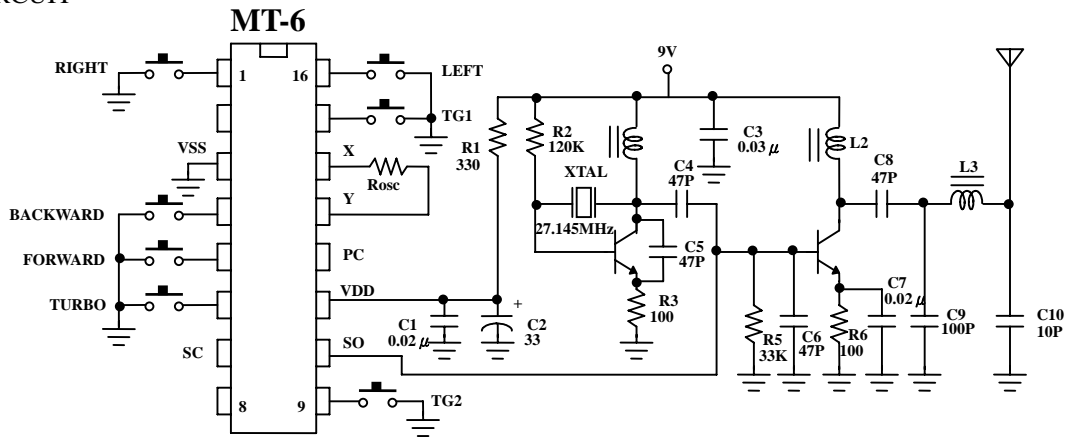
RC CAR  
7 FUNCTIONS

7 功能遙控車

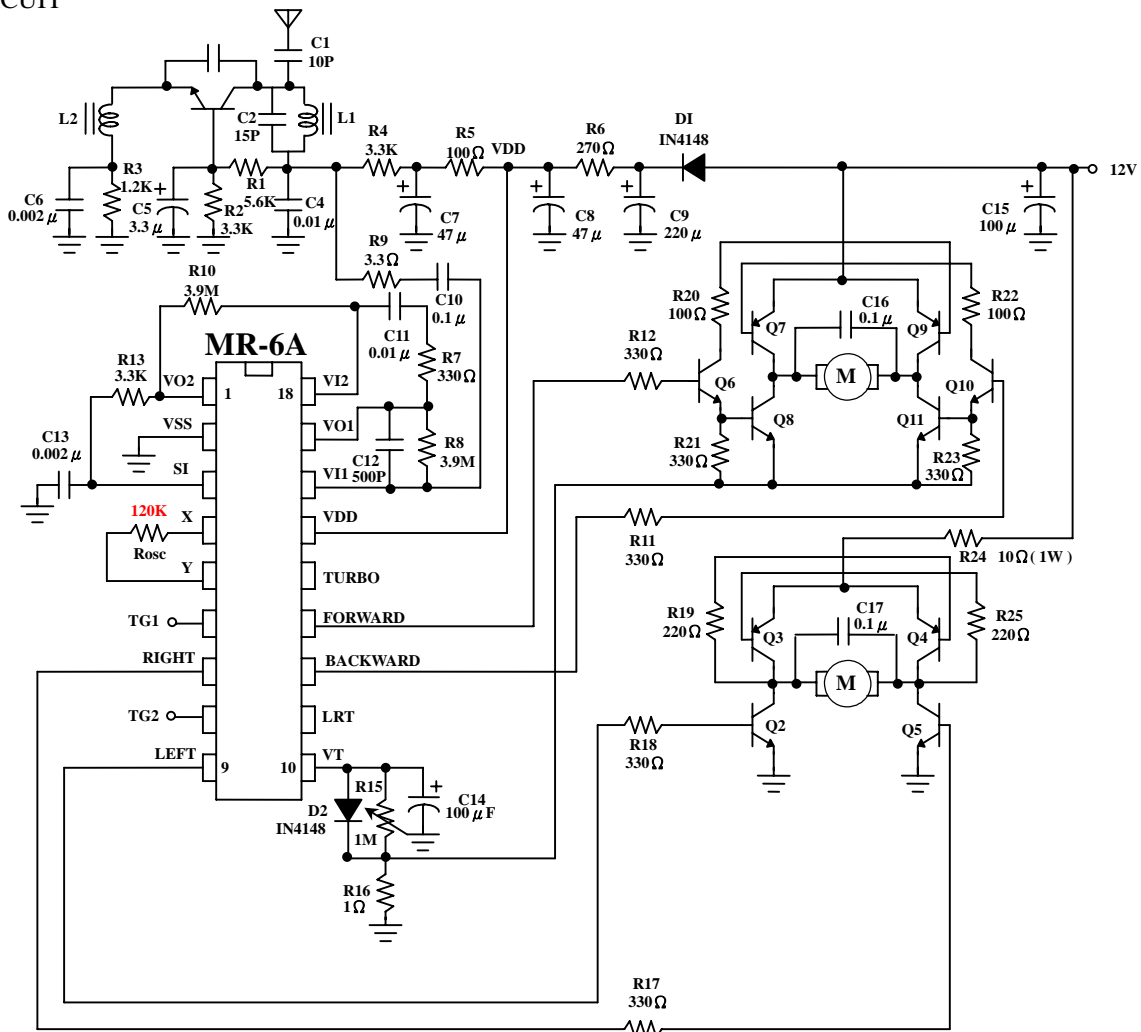


APPLICATION DIAGRAM 參考電路圖

TX CIRCUIT



RX CIRCUIT



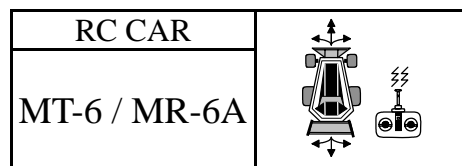
\*All specs and applications shown above subject to change without prior notice.

( 以上電路及規格僅供參考,本公司得逕行修正 )



RC CAR  
7 FUNCTIONS

7 功能遙控車



COMBINATION OF FUNCTION

MT-6	MR-6A
F	F
F+L	F+L
F+R	F+R
TBO	TBO
TBO+F	TBO+F
TBO+F+L	TBO+F+L
TBO+F+R	TBO+F+R
B	B
B+L	B+L
B+R	B+R
TBO+B	TBO+B
TBO+B+L	TBO+B+L
TBO+B+R	TBO+B+R
L	L
R	R
TG1	TG1
TG1+F	TG1+F
TG1+TBO+F	TG1+TBO+F
TG1+TBO	TG1+TBO
TG1+B	TG1+B
TG1+TBO+B	TG1+TBO+B
TG1+F+L	TG1+F+L
TG1+F+R	TG1+F+R
TG1+B+L	TG1+B+L
TG1+B+R	TG1+B+R
TG1+L	TG1+L
TG1+R	TG1+R

