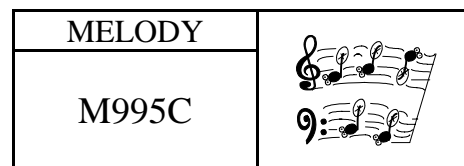




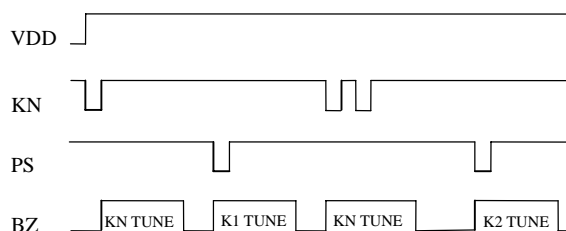
256 NOTES  
DUAL TONE

雙音和弦 IC



### FEATURES 功能敘述

- 256 notes dual tone.
- PS : Sequence input.
- K1, K2, K3 : Song select.
- OCT : 8 scale up.



### APPLICATION 產品應用

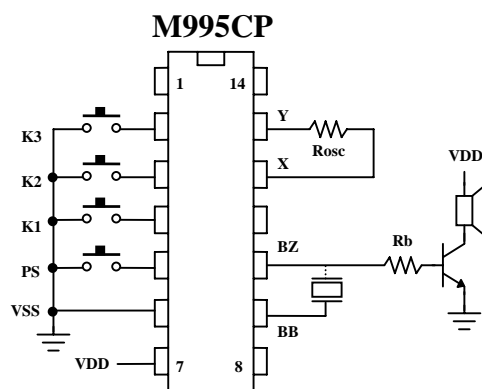
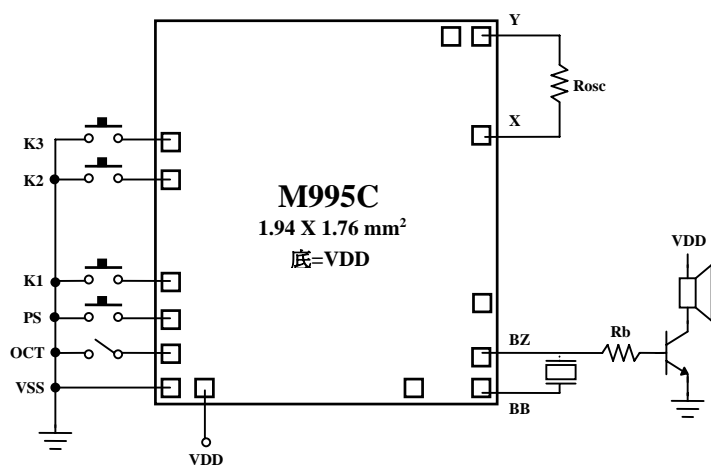
- Melody Toys, Musical instrument.

### ELECTRICAL CHARACTERISTICS 電氣規格

( @V<sub>DD</sub>=3V unless otherwise specified )

Characteristics	Sym.	Min.	Typ.	Max.	Unit	REMARKS
工作電壓 Operating Voltage	V <sub>DD</sub>	—	3	3.5	V	
工作電流 Operating Current	I <sub>OP</sub>	—	—	10	mA	No load
靜態電流 Quiescent Current	I <sub>SB</sub>	—	1	5	μA	
推動電流 BZ Driving Current	I <sub>O</sub>	1	—	—	mA	@V <sub>DS</sub> =1V
振盪頻率 Oscillator Frequency	F <sub>OSC</sub>	—	100	—	KHz	External±30%, Rosc=300KΩ
		—	80	—	KHz	-DB、-DB2, Rosc=390KΩ
工作溫度 Operating Temperature	Temp.	0	25	60	°C	

### APPLICATION DIAGRAM 參考電路圖




\*All specs and applications shown above subject to change without prior notice.

( 以上電路及規格僅供參考,本公司得逕行修正 )



256 NOTES  
DUAL TONE

雙音和弦 IC

MELODY	
M995C	

## SONG LIST

### M995C-1

1. LA REINE DEO SABA
2. FOR ALICE
3. MUSIC BOX DANCER

### M995C-2

1. JAPANESE LULLABY
2. BRAHMS LULLABY
3. ROCK-A-BY BABY

### M995C-3

1. DING DONG 2 TIMES
2. ALARM
3. FOR ALICE

### M995C-4

1. JINGLE BELLS
2. WE WISH YOU A MERRY XMAS
3. SANTA CLAUS IS COMING TO TOWN

### M995C-5

1. LONDON BRIDGE IS FALLING DOWN
2. MARY HAD A LITTLE LAMB
3. DOWN THE MOUNTAIN SIDE WE GO

### M995C-6

1. LOVE ME TENDER
2. IF YOU LOVE ME
3. I CAN'T STOP LOVING YOU

### M995C-8

1. A TIME FOR US
2. LOVE IS BLUE
3. ARE YOU LONESOME TONIGHT?

### M995C-C1

1. MARY HAD LITTLE LAMB
2. TWINKLE TWINKLE LITTLE STAR
3. BRAHMS LULLABY

### M995C-DB

1. WEST MINISTER
2. DING
3. DING DONG

### M995C-DB2

1. DING DONG
2. DING DING
3. WEST MINISTER

### M995C-C13

1. WEST MINISTER
2. DING DONG 2 TIMES
3. DING DANG DONG

### M995C-C14

1. DING DONG 2 TIMES
2. WEST MINISTER
3. FOR ALICE ( 14 SEC )

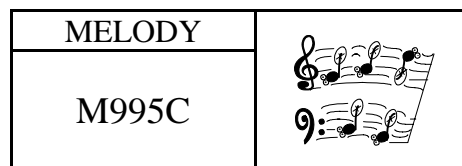
### M995C-C15

1. DING DONG 2 TIMES
2. WEST MINISTER
3. FOR ALICE ( 6 SEC )

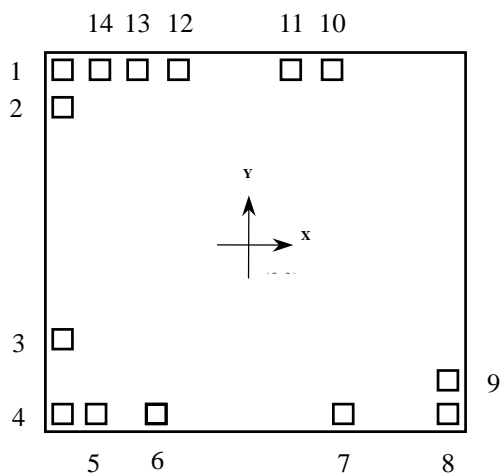


256 NOTES  
DUAL TONE

雙音和弦 IC



### PAD ASSIGNMENT & POSITION



UNIT : um

No.	NAME	X	Y
1	VSS	-838.5	747
2	VDD	-838.5	585.75
3	RETG	-838.5	-417.75
4	BB	-838.5	-750.75
5	BZ	684.75	-750.75
6	TEST	-424.5	-755.25
7	X	377.25	-750.75
8	Y	841.5	-750.75
9	TEST3	840	-592.5
10	K3	325.5	750.75
11	K2	149.25	750.75
12	K1	-341.25	750.75
13	PS	-510	750.75
14	OCT	-682.5	750.75

\* CHIP SIZE ~ 1.94 x 1.76 mm<sup>2</sup>

\* IC substrate should be connected to VDD in PCB (PCB 上 IC 必須接 VDD)

( 以上電路及規格僅供參考,本公司得逕行修正 )