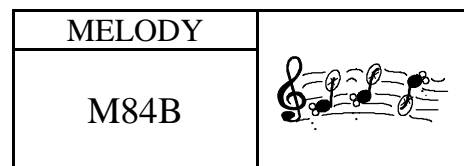




PIANO / MANDOLIN  
1-KEY-1-NOTE

8 首歌, 步進音樂 IC



### FEATURES 功能敘述

- Playing mode :
  - SEL : Tunes select.
  - DEMO : To demo the song selected.
  - TG : One-key-one-note trigger.
  - MAN : Piano / mandolin exchange.

M84B-1	M84B-2	M84B-3
1. OLD MAN	LOVE STORY	女人是老虎
2. DID YOU EVER	LOVE ME TENDER	東方之珠
3. A LITTLE LAMB	HOLIDAYS	濤聲依舊
4. LITTLE STAR	FOR ALICE	說句心裡話
5. LONDON BRIDGE	OVER THE RAINBOW	繡夫之愛
6. CLOSE ENCOUNTERS	YESTERDAY	小放牛
7. HAPPY BIRTHDAY	RED RIVER VALLEY	把根留住
8. OH! MY DARLING	YOU ARE SUNSHINE	青春舞曲

### APPLICATION 產品應用

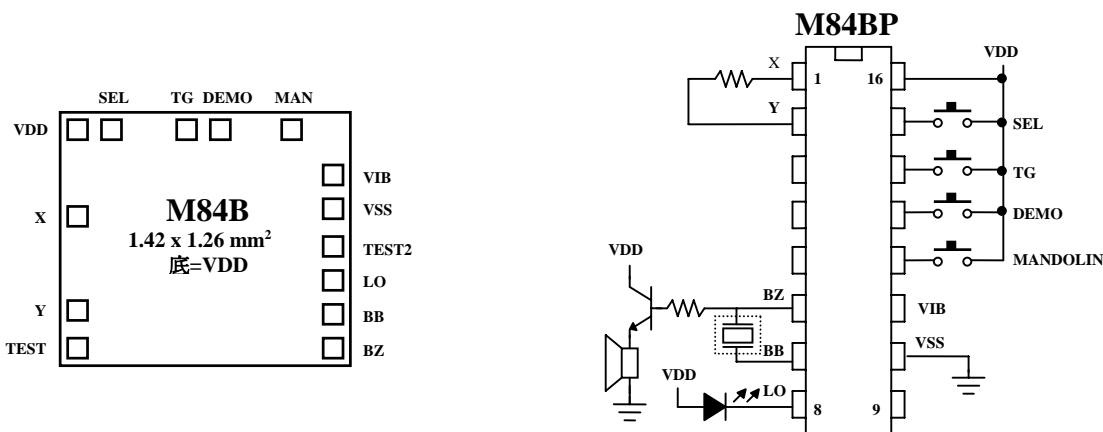
- Toys, Arcade game.

### ELECTRICAL CHARACTERISTICS 電氣規格

( @V<sub>DD</sub>=3V unless otherwise specified )

Characteristics	Sym.	Min.	Typ.	Max.	Unit	REMARKS
工作電壓 Operating Voltage	V <sub>DD</sub>	—	3	3.5	V	
工作電流 Operating Current	I <sub>OP</sub>	—	0.1	0.5	mA	No load
靜態電流 Quiescent Current	I <sub>SB</sub>	—	1	5	μA	
推動電流 BZ Driving Current	I <sub>O</sub>	1	—	—	mA	@V <sub>DS</sub> =1V
推動電流 LO Driving Current	I <sub>OL</sub>	6	—	—	mA	@V <sub>DS</sub> =1.2V
振盪頻率 Oscillator Frequency	F <sub>OSC</sub>	—	100	—	KHz	External±30%, R <sub>osc</sub> =270KΩ
工作溫度 Operating Temperature	Temp.	0	25	60	°C	

### APPLICATION DIAGRAM 參考電路圖



\*All specs and applications shown above subject to change without prior notice.

( 以上電路及規格僅供參考,本公司得逕行修正 )