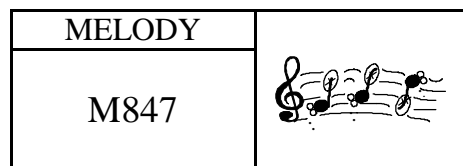




PIANO / MANDOLIN

1-KEY-1-NOTE WITH 7 LEDS 8首歌7燈, 步進音樂 IC



FEATURES 功能敘述

- Playing mode :
SEL : Tunes select.
DEMO : To demo the song selected.
TG : One-key-one-note trigger.
MAN : Piano / mandolin exchange.
- LEDS : Flash rate : 3 Hz
Duty cycle 1/6.
- LED : Sequential L1→L7.

| | M847-1 | M847-2 | M847-3 |
|----|------------------|------------------|--------|
| 1. | OLD MAN | LOVE STORY | 女人是老虎 |
| 2. | DID YOU EVER | LOVE ME TENDER | 東方之珠 |
| 3. | A LITTLE LAMB | HOLIDAYS | 濤聲依舊 |
| 4. | LITTLE STAR | FOR ALICE | 說句心裡話 |
| 5. | LONDON BRIDGE | OVER THE RAINBOW | 繆夫之愛 |
| 6. | CLOSE ENCOUNTERS | YESTERDAY | 小放牛 |
| 7. | HAPPY BIRTHDAY | RED RIVER VALLEY | 把根留住 |
| 8. | OH! MY DARLING | YOU ARE SUNSHINE | 青春舞曲 |

APPLICATION 產品應用

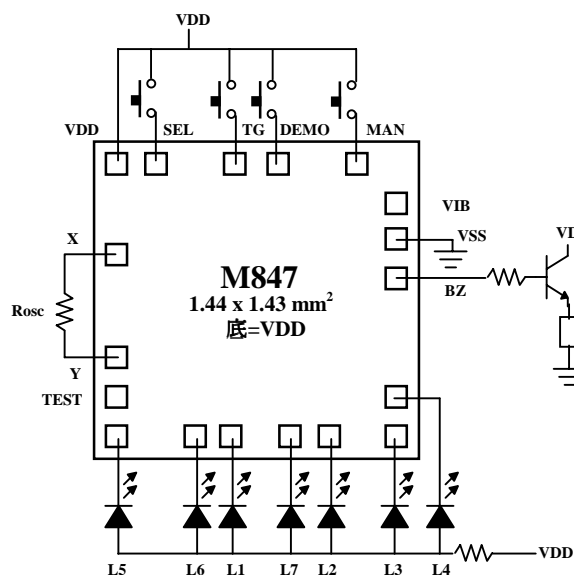
- Toys, Arcade game.

ELECTRICAL CHARACTERISTICS 電氣規格

(@V_{DD}=3V unless otherwise specified)

| Characteristics | Sym. | Min. | Typ. | Max. | Unit | REMARKS |
|----------------------------|------------------|------|------|------|------|---------------------------------------|
| 工作電壓 Operating Voltage | V _{DD} | — | 3 | 3.5 | V | |
| 工作電流 Operating Current | I _{OP} | — | 0.1 | 0.5 | mA | No load |
| 靜態電流 Quiescent Current | I _{SB} | — | 1 | 5 | μA | |
| 推動電流 BZ Driving Current | I _O | 1 | — | — | mA | @ V _{DS} =1V |
| 推動電流 LO Driving Current | I _{OL} | 6 | — | — | mA | @ V _{DS} =1.2V |
| 振盪頻率 Oscillator Frequency | F _{OSC} | — | 100 | — | KHz | External±30%, R _{osc} =240KΩ |
| 工作溫度 Operating Temperature | Temp. | 0 | 25 | 60 | °C | |

APPLICATION DIAGRAM 參考電路圖



*All specs and applications shown above subject to change without prior notice.

(以上電路及規格僅供參考,本公司得逕行修正)