



LED FLASH	
M18110	

8 LEDS FLASH

8 LEDS 來電顯示控制 IC

FEATURES 功能敘述

Rosc ext. / built-in available.

Power-on blinking about 5 sec.

Mode : OSH / LH select default LH. When no signal after 2 sec then LED off.

OSH : one-trigger-on section.

LH : auto change section.

Motor : active high to driver motor (64 Hz carry).

On : connect to VDD LED steady on.

VP : adjust the detector distance , recommend R = 2M

R > 2M , increase detector distance.

R < 2M , decrease detector distance.

APPLICATION 產品應用

Key chain , Mobile phone, Toys.

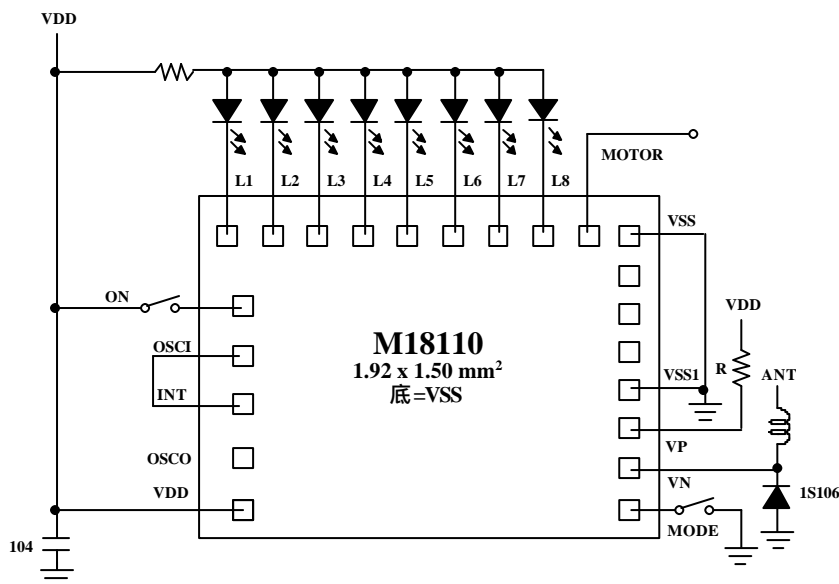
ELECTRICAL CHARACTERISTICS 電氣規格

(@ $V_{DD}=3V$ unless otherwise specified)


Characteristics	Sym.	Min.	Typ.	Max.	Unit	REMARKS
工作電壓 Operating Voltage	V_{DD}		3	5	V	
工作電流 Operating Current	I_{OP}		0.1	0.5	mA	No load
靜態電流 Quiescent Current	I_{SB}		1	5	μA	
推動電流 Driving Current	I_{OL}	20			mA	@ $V_{DS}=1.2V$
振盪頻率 Oscillator Frequency	F_{OSC}		256		KHz	$\pm 30\%$ TOL.
工作溫度 Operating Temperature	Temp.	0	25	60		

APPLICATION DIAGRAM 參考電路圖

(A) Internal Rosc.



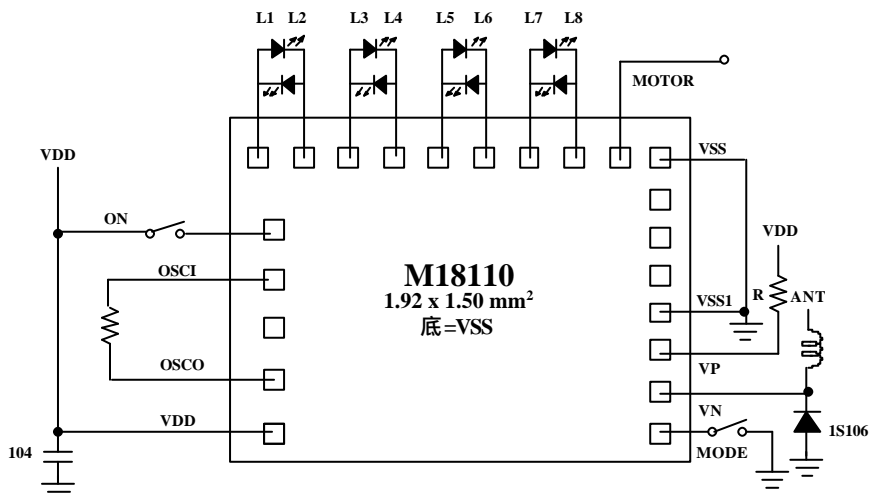


LED FLASH	
M18110	

8 LEDS FLASH

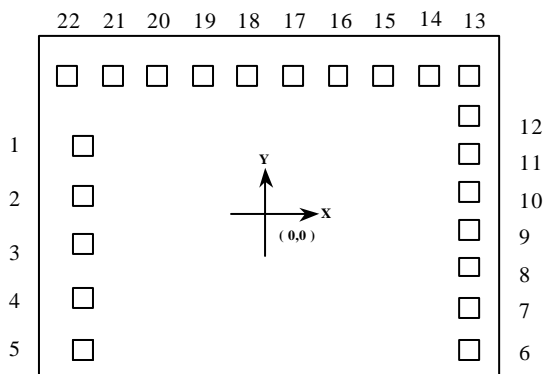
8 LEDS 來電顯示控制 IC

(B) External Rosc.



* VDD、VDD1、VSS & VSS1 must bonding together.

PAD ASSIGNMENT&POSITION



Unit : um

NO	NAME	X	Y
1	ON	-716.70	237.40
2	OSCI	-716.70	34.00
3	INT	-716.70	-169.40
4	OSCO	-716.70	-372.80
5	VDD	-716.70	-576.10
6	MODE	786.70	-576.20
7	VN	786.70	-418.70
8	VP	786.70	-261.10
9	VSS1	786.70	-106.10
10	TF64	786.70	48.90
11	TSELB	786.70	203.90
12	TESTB	786.70	359.00
13	VSS	786.70	526.00
14	MOTOR	627.50	526.00
15	L8	452.60	526.00
16	L7	277.60	526.00
17	L6	102.30	526.00
18	L5	-72.30	526.00
19	L4	-247.40	526.00
20	L3	-422.40	526.00
21	L2	-597.30	526.00
22	L1	-775.20	526.00

* CHIP SIZE ~ 1.92 x 1.50 mm²

* IC substrate should be connected to VSS in PCB (PCB 上 IC 必須接 VSS)

*All specs and applications shown above subject to change without prior notice.

(以上電路及規格僅供參考,本公司得逕行修正)