



AC Application
SYNC RGB LED IC

用於 AC 應用
同步三色燈 LED IC

LED FLASH	
M1358	

FEATURES 功能敘述

- LED Constant sink current 15mA and 20mA.
- Outputs directly drive LEDs.
- Power-on while automatic synchronous an LEDs.

APPLICATION 產品應用

- LED color mixer lamp etc...

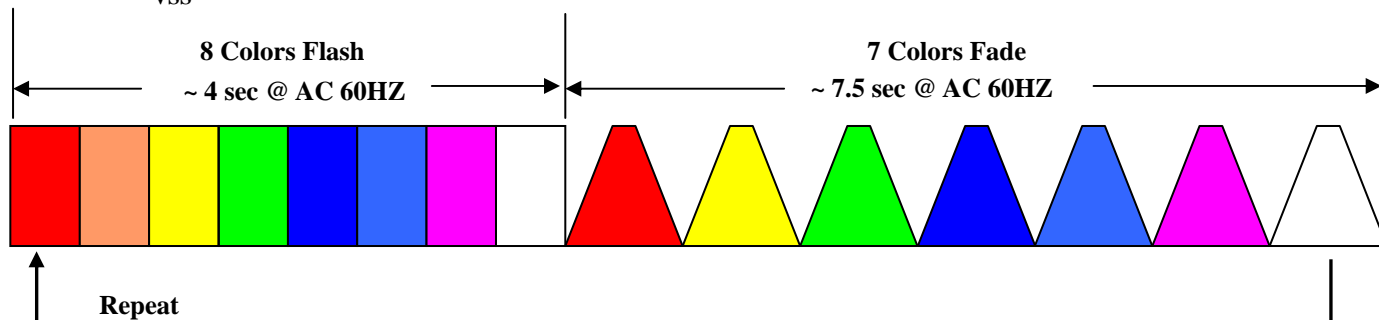
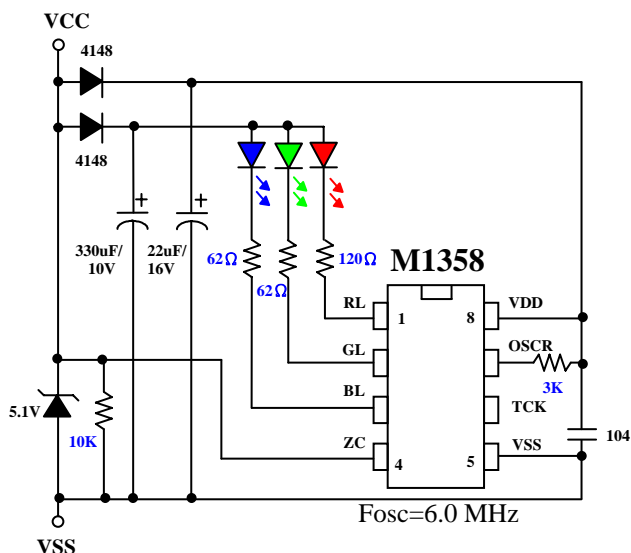
ELECTRICAL CHARACTERISTICS 電氣規格

(@V_{DD}=4.5V unless otherwise specified)

Characteristics	Sym.	Min.	Typ.	Max.	Unit	REMARKS
工作電壓 Operating Voltage	V _{DD}	2.4	4.5	6	V	
工作電流 Operating Current	I _{OP}	—	0.5	—	mA	No load
推動電流 Driving Sink Current	I _{OL}	15	—	—	mA	@V _{DS} = 1.2V
振盪頻率 Oscillator Frequency	F _{LED}	—	6.0	—	MHz	±30% TOL. R _{osc} =3KΩ
工作溫度 Operating Temperature	Temp.	0	25	70	°C	

APPLICATION DIAGRAM 參考電路圖

- **M1358 : 8 Color Flash + 7 Color Fade (同步同色跳閃+七彩漸明漸暗) Constant sink current of 20mA.**



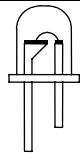
*All specs and applications shown above subject to change without prior notice.

(以上電路及規格僅供參考,本公司得逕行修正)



AC Application
SYNC RGB LED IC

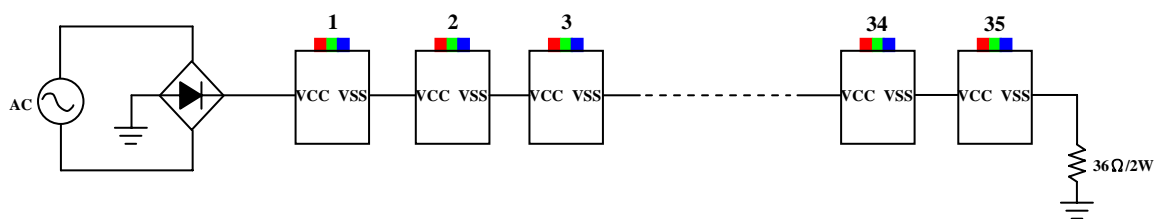
用於 AC 應用
同步三色燈 LED IC

LED FLASH	
M1358	

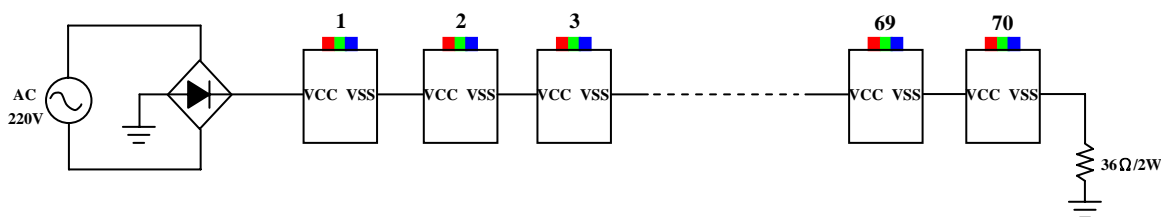
APPLICATION DIAGRAM 參考電路圖

* FOR AC Xmas Light controller

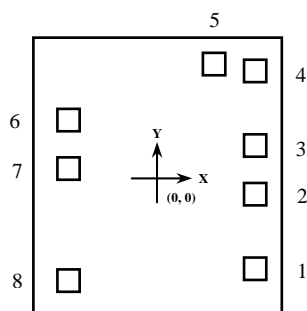
A: AC 110V



B: AC 220V



* PAD ASSIGNMENT & POSITION



UNIT : um

No.	NAME	X	Y
1	RL	440.3	-440.6
2	GL	440.3	-113.0
3	BL	440.3	110.2
4	ZC	440.3	437.8
5	VSS	254.9	472.6
6	TCK	-399.8	233.8
7	OSCR	-399.8	-1.8
8	VDD	-395.2	-490.5

* CHIP SIZE ~ 1.12 x 1.23 mm²

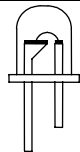
* IC substrate should be connected to VSS in PCB(PCB 上 IC 必須接 VSS)

*All specs and applications shown above subject to change without prior notice.
(以上電路及規格僅供參考,本公司得逕行修正)



AC Application
SYNC RGB LED IC

M1358_Bulb
用於 AC 應用
同步三色燈 LED IC

LED FLASH	
M1358	

FEATURES 功能敘述

- Constant sink current 20mA.
- Outputs directly drive LEDs.
- Power-on while automatic synchronous an LEDs.

APPLICATION 產品應用

- LED color mixer lamp etc..

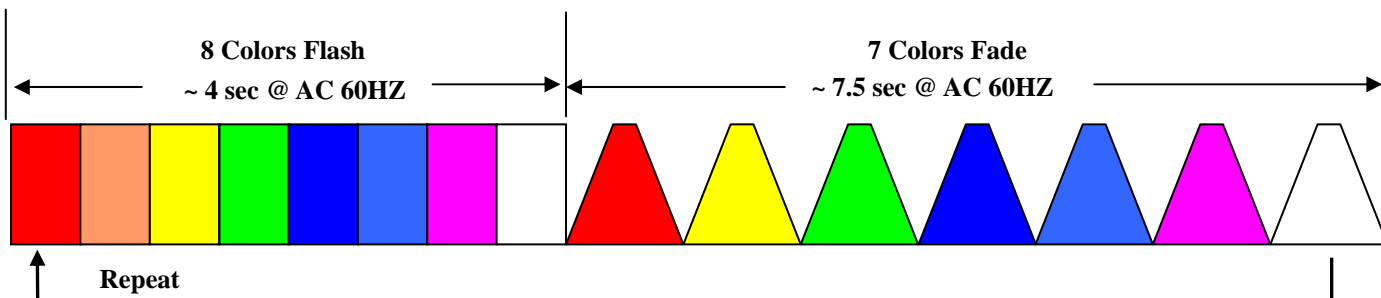
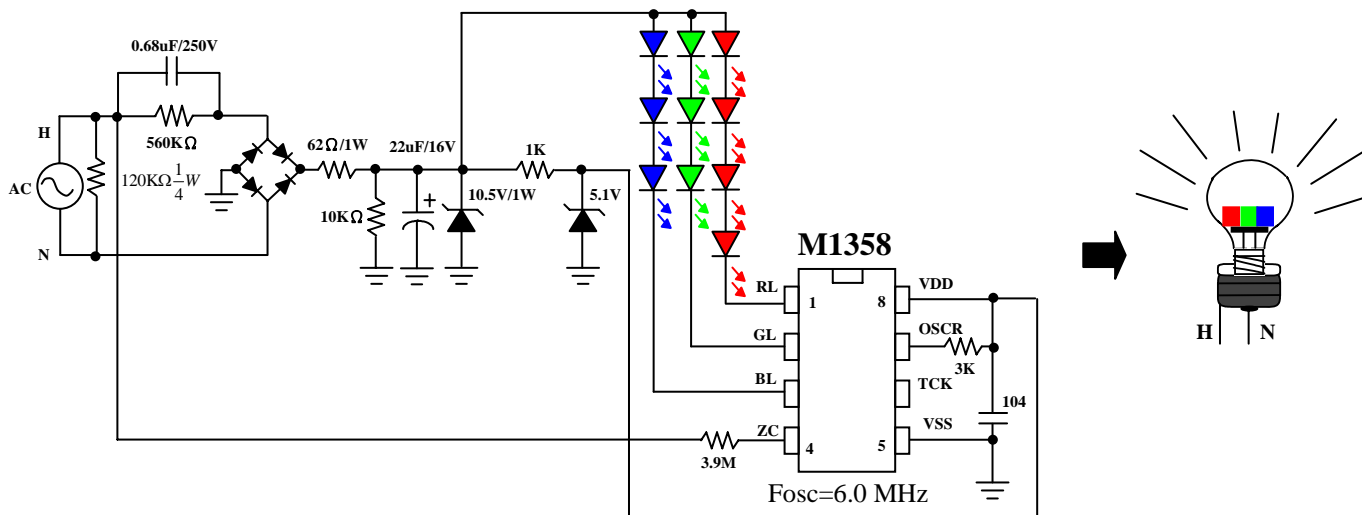
ELECTRICAL CHARACTERISTICS 電氣規格

(@V_{DD}=4.5V unless otherwise specified)

Characteristics	Sym.	Min.	Typ.	Max.	Unit	REMARKS
工作電壓 Operating Voltage	V _{DD}	2.4	4.5	6	V	
工作電流 Operating Current	I _{OP}	—	0.5	—	mA	No load
推動電流 Driving Sink Current	I _{OL}	—	20	—	mA	@V _{DS} = 1.2V
振盪頻率 Oscillator Frequency	F _{LED}	—	6.0	—	MHz	M1358 ~±10% TOL. R _{osc} =3KΩ
工作溫度 Operating Temperature	Temp.	0	25	70	°C	

APPLICATION DIAGRAM 參考電路圖

* M1358 : 8 Color Flash + 7 Color Fade (同步同色跳閃+七彩漸明漸暗)



*All specs and applications shown above subject to change without prior notice.
(以上電路及規格僅供參考,本公司得逕行修正)