



IR CONTROL	
M3010	

IR TV/VCD TRANSMITTER

IR 控制 器

FEATURES 功能敘述

- PIN compatible with SAA3010.
- DO with a 38 KHz carrier for IR.

APPLICATION 產品應用

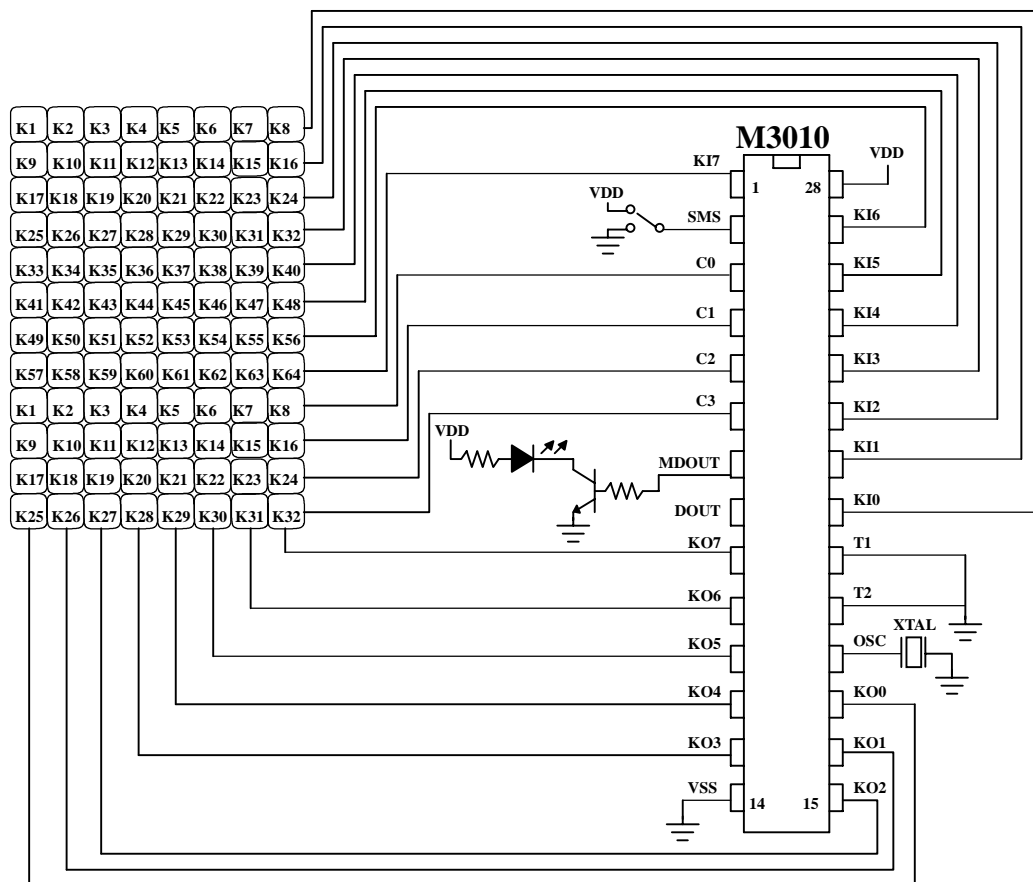
- TV/VCD/Audio equipment.

ELECTRICAL CHARACTERISTICS 電氣規格

( @VDD=3V unless otherwise specified )

Characteristics	Sym.	Min.	Typ.	Max.	Unit	REMARKS
工作電壓 Operating Voltage	V <sub>DD</sub>	2.4	3	5	V	
工作電流 Operating Current	I <sub>OP</sub>	—	0.3	1	mA	No load
靜態電流 Quiescent Current	I <sub>SB</sub>	—	1	10	μA	
推動電流 Driving Current	I <sub>OL</sub>	—	2	—	mA	@ V <sub>DS</sub> =1.2V
振盪頻率 Oscillator Frequency	F <sub>OSC</sub>	—	455	—	KHz	External±30%
工作溫度 Operating Temperature	Temp.	0	25	60	°C	

APPLICATION DIAGRAM 參考電路圖



\* All specs and applications shown above subject to change without prior notice.  
( 以上電路及規格僅供參考,本公司得逕行修正 )