



3-STATE 531,441 CODES

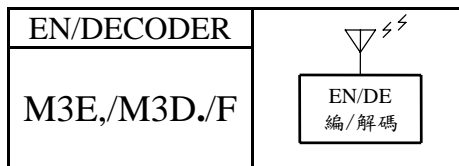
BUILT-IN IR CARRIER

DIRECT DATA TRANSMIT

3 態 531,441 碼

內建紅外線發射器

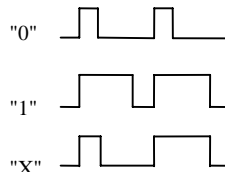
可單鍵發射



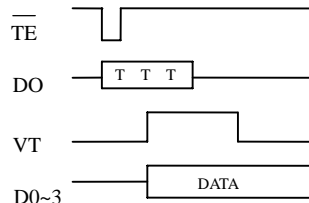
FEATURES 功能敘述

- M3E, : Built-in IR carrier — suffix-IR.
Direct Data Transmit — suffix-H : Switch to VDD.
— suffix-L : Switch to VSS.
- M3D. : Momentary DATA — suffix-M.
Latch data outputs — suffix-L.
Full address type — M3F.
- S.O.Package 20P — suffix-S.

BIT FORMAT



PROTOCOL



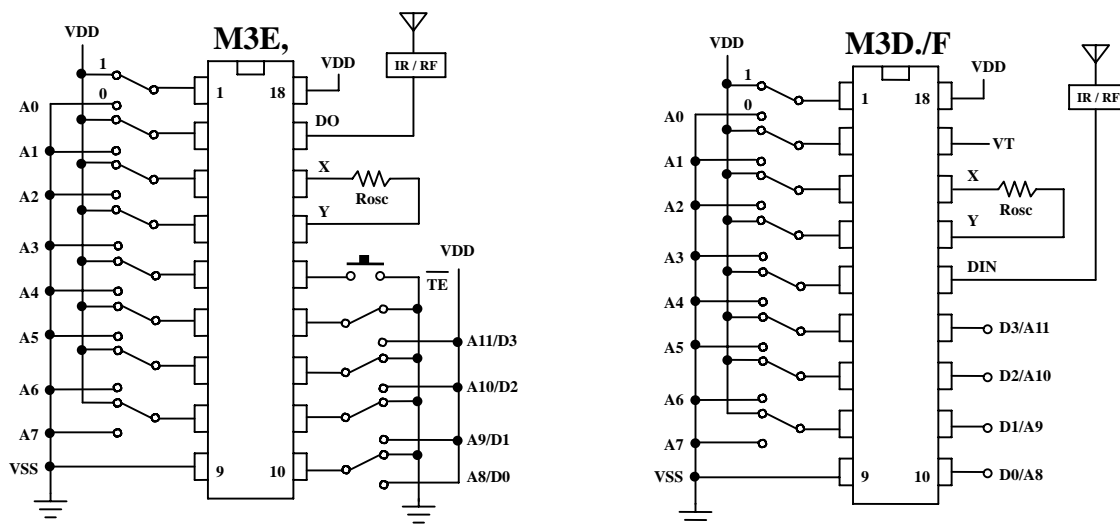
APPLICATION 產品應用

- Security alarm, Remote control. 防盜系統, 任何遙控裝置.

ELECTRICAL CHARACTERISTICS 電氣規格

Characteristics	Sym.	Min.	Typ.	Max.	Unit	REMARKS
工作電壓 Operating Voltage	V_{DD}	2.4	—	12	V	
工作電流 Operating Current	I_{OP}	—	0.1	1	mA	No load
靜態電流 Quiescent Current	I_{SB}	—	0.1	0.5	μA	
推動電流 Driving Current	I_{OL}	—	2	—	mA	@ $V_{DS}=1.2V$
振盪頻率 Oscillator Frequency	F_{OSC}	—	76	—	KHz	External $\pm 30\%$
工作溫度 Operating Temperature	Temp.	-20	25	70	$^{\circ}C$	

APPLICATION DIAGRAM 參考電路圖



* Rosc : M3E,= 360K Ω ; M3D. /F=220K Ω

* All specs and applications shown above subject to change without prior notice.

(以上電路及規格僅供參考,本公司得逕行修正)