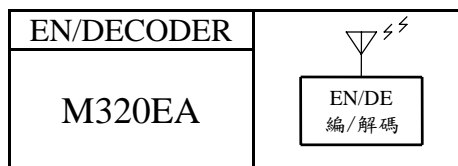




2-STATE 1048576 CODES

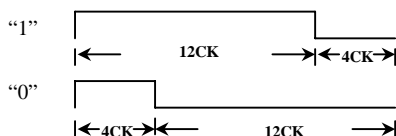
OTP ENCODER



FEATURES 功能敘述

- Up to 4 data transmit.
- One pin oscillator.

BIT FORMAT



DEFINITE : 1CK= 8 OSC CLKs

KEY				DATA			
K3	K2	K1	K0	D3	D2	D1	D0
0	0	0	1	0	0	0	1
0	0	1	0	0	0	1	0
0	0	1	1	0	0	1	1
0	1	0	0	0	1	0	0
0	1	0	1	0	1	0	1
0	1	1	0	0	1	1	0
0	1	1	1	0	1	1	1
1	0	0	0	1	0	0	0
1	0	0	1	1	0	0	1
1	0	1	0	1	0	1	0
1	0	1	1	1	0	1	1
1	1	0	0	1	1	0	0
1	1	0	1	1	1	0	1
1	1	1	0	1	1	1	0
1	1	1	1	1	1	1	1

APPLICATION 產品應用

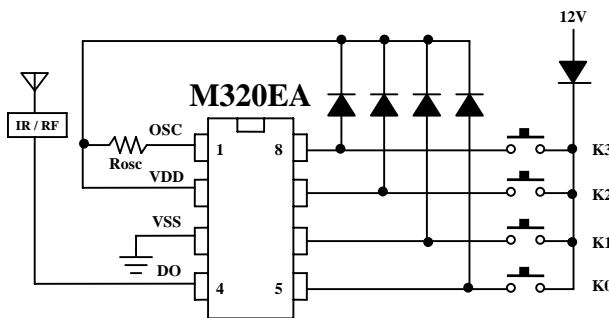
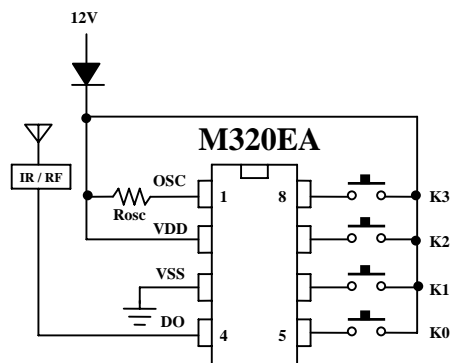
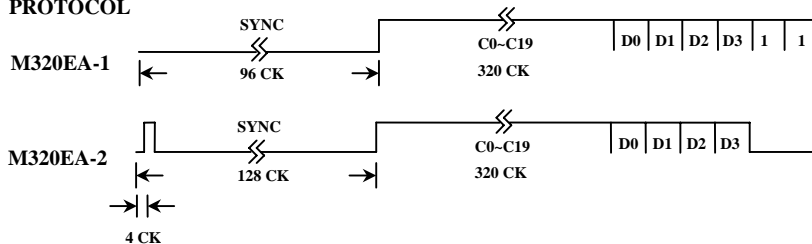
- Security alarm, Remote control. 防盜系統, 任何遙控裝置.

ELECTRICAL CHARACTERISTICS 電氣規格

Characteristics	Sym.	Min.	Typ.	Max.	Unit	REMARKS
工作電壓 Operating Voltage	V_{DD}	2.4	—	13	V	
工作電流 Operating Current	I_{OP}	—	0.3	1	mA	No load
靜態電流 Quiescent Current	I_{SB}	—	1	10	μA	
推動電流 Driving Current	I_{OL}	—	2	—	mA	@ $V_{DS}=1.2V$
振盪頻率 Oscillator Frequency	F_{OSC}	—	76	—	KHz	External $\pm 30\%$, $R_{osc} = 300K\Omega$
工作溫度 Operating Temperature	Temp.	-20	25	75	$^{\circ}C$	

APPLICATION DIAGRAM 參考電路圖

PROTOCOL



*All specs and applications shown above subject to change without prior notice.

(以上電路及規格僅供參考,本公司得逕行修正)