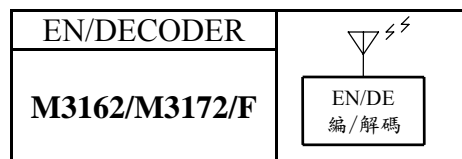




3-STATE 531,441 CODES
BUILT-IN IR CARRIER

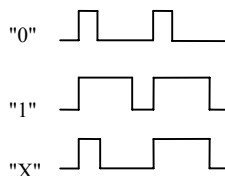
3 態 531,441 碼
內 建 紅 外 線 發 射 器



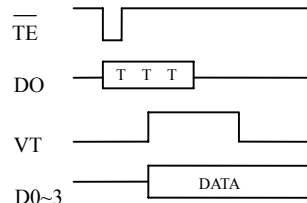
FEATURES 功能敘述

- M3162 — 3 State Encoder
M3162-IR : Built-in IR carrier
- M3172 — 3 State Decoder
M3172-L : Latch data outputs.
M3172-M : Momentary data outputs.
M3172F : Full address type.
- S.O. Package 20P — suffix-S.

BIT FORMAT



PROTOCOL



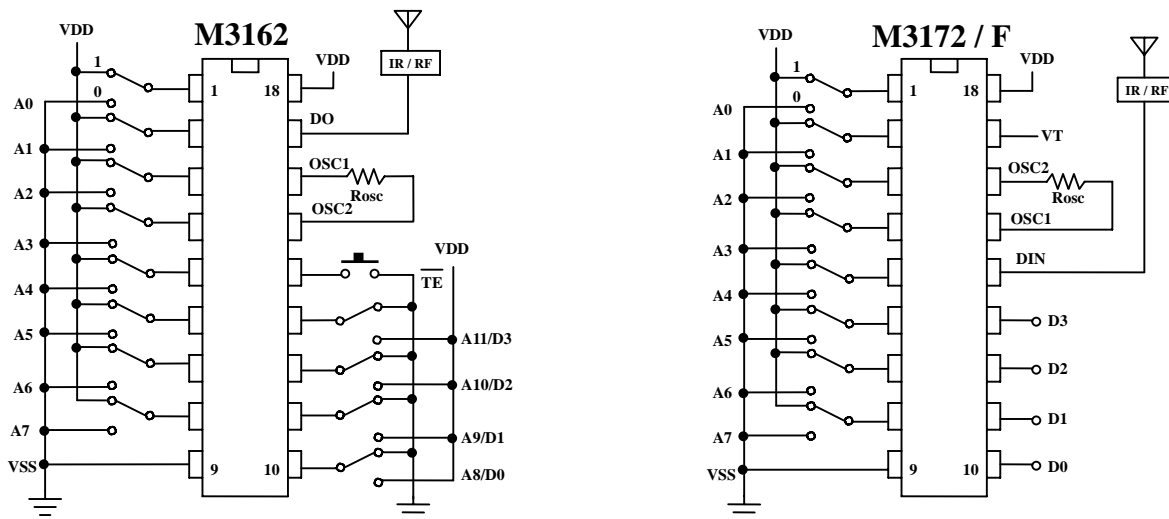
APPLICATION 產品應用

- Security alarm, Remote control. 防盜系統, 任何遙控裝置.

ELECTRICAL CHARACTERISTICS 電氣規格

Characteristics	Sym.	Min.	Typ.	Max.	Unit	REMARKS
工作電壓 Operating Voltage	V _{DD}	2.4	—	15	V	M3162 Encoder
		—	3	5	V	M3172 Decoder
工作電流 Operating Current	I _{OP}	—	0.1	1	mA	No load
		—	0.1	0.5	μA	M3162 Encoder
靜態電流 Quiescent Current	I _{SB}	—	1	10	μA	M3172 Decoder
		—	2	—	mA	@V _{DS} =1.2V
振盪頻率 Oscillator Frequency	F _{OSC}	—	76	—	KHz	M3162 External±30% ,Rosc=390KΩ
		—	38	—	KHz	M3172 External±30% ,Rosc=1.1MΩ
工作溫度 Operating Temperature	Temp.	-20	25	60	°C	

APPLICATION DIAGRAM 參考電路圖



*Rosc : M3162=390KΩ ; M3172=1.1MΩ

*All specs and applications shown above subject to change without prior notice.

(以上電路及規格僅供參考,本公司得逕行修正)