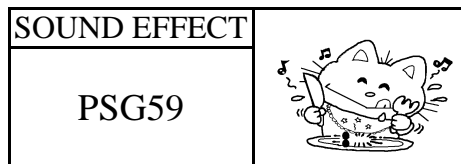




DOOR BELL
DUAL TONE

雙音門鈴 1/2/3 聲



FEATURES 功能敘述

- PSG59 KEY INPUTS :
K1—DING DONG
K2—DING DING
K3—DING (CHOPPED)
3T—3 CYCLES OPTION

P/N	TIMES
PSG59	1/3 聲
PSG592	1/2 聲

APPLICATION 產品應用

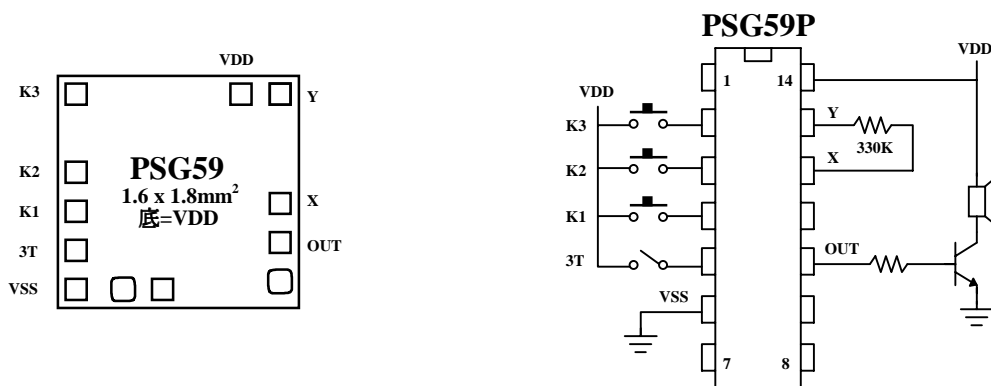
- Doorbell, Musical instrument, Toys.

ELECTRICAL CHARACTERISTICS 電氣規格

(@V_{DD}=3V unless otherwise specified)

Characteristics	Sym.	Min.	Typ.	Max.	Unit	REMARKS
工作電壓 Operating Voltage	V _{DD}	—	3	3.5	V	
工作電流 Operating Current	I _{OP}	—	0.1	0.5	mA	No load
靜態電流 Quiescent Current	I _{SB}	—	1	5	μA	
推動電流 OUT Driving Current	I _O	1	—	—	mA	@ V _{DS} =1V
振盪頻率 Oscillator Frequency	F _{OSC}	—	50	—	KHz	External±30%
工作溫度 Operating Temperature	Temp.	0	25	60	°C	

APPLICATION DIAGRAM 參考電路圖



*All specs and applications shown above subject to change without prior notice.

(以上電路及規格僅供參考,本公司得逕行修正)