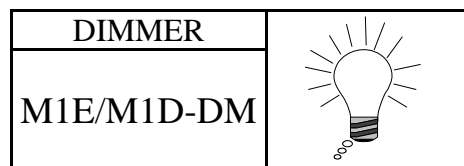




SECURITY CODE
WIRELESS DIMMER

遙控 4 段調光器



FEATURES 功能敘述

- Trigger angles : 4 steps—19°,75°,115°, OFF.

ON/OFF—19°.

- Default : 50 Hz , 220V.

- Internal code 0 * 0 A₃ A₄ A₅ A₆ A₇ 0 * 0.

No.	P/N	Func.
1	M1D-DM4	4 steps
2	M1D-DM2	2 steps

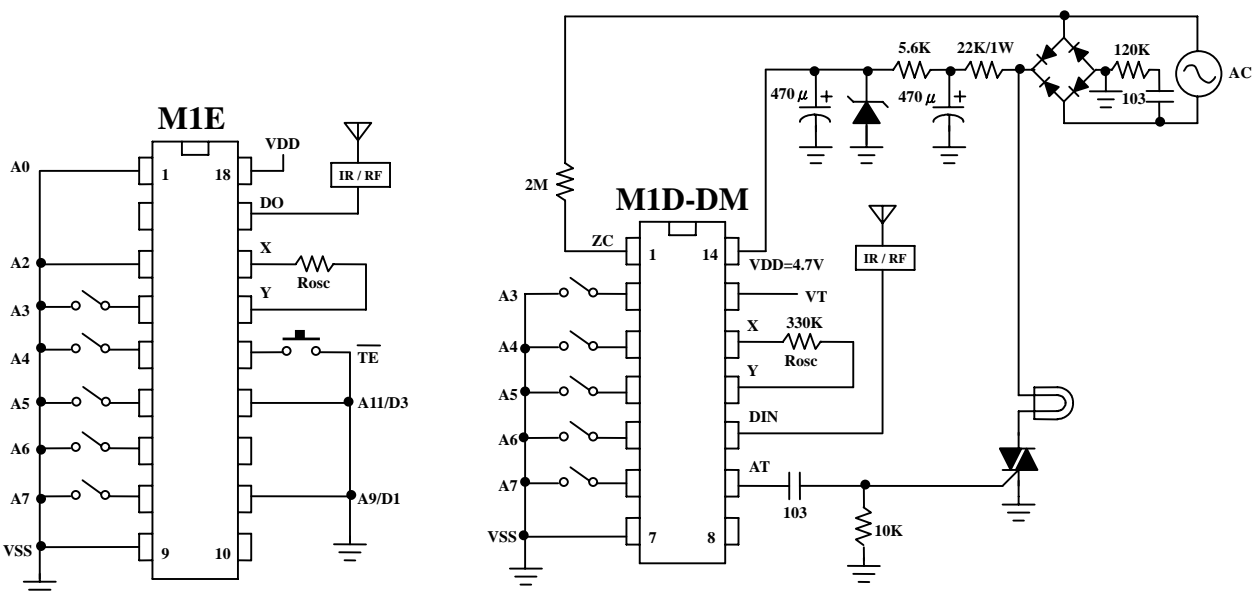
APPLICATION 產品應用

- Light dimmer etc..

ELECTRICAL CHARACTERISTICS 電氣規格

Characteristics	Sym.	Min.	Typ.	Max.	Unit	REMARKS
工作電壓 Operating Voltage	V _{DD}	2.4	—	10	V	
工作電流 Operating Current	I _{OP}	—	0.8	1	mA	No load
推動電流 Driving Current	I _{OL}	—	30	—	mA	@ V _{DS} =1V
振盪頻率 Oscillator Frequency	F _{OSC}	—	76	—	KHz	External±30%
工作溫度 Operating Temperature	Temp.	0	25	60	°C	

APPLICATION DIAGRAM 參考電路圖

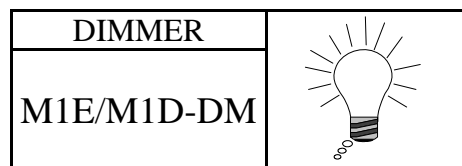


* Rosc ~ M1E : 200KΩ , M1D-DM : 330KΩ @ 110V / 60Hz ; 390KΩ @ 220V / 50Hz.



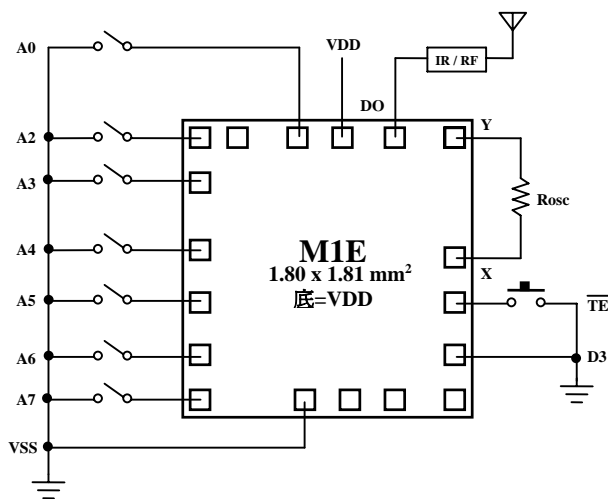
SECURITY CODE
WIRELESS DIMMER

遙控 4 段調光器



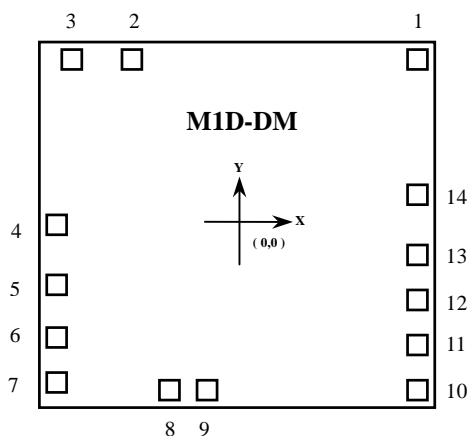
APPLICATION DIAGRAM 參考電路圖

CHIP FORM



* Rosc ~ M1E : 200KΩ , M1D-DM : 330KΩ @110V / 60Hz ; 390KΩ @220V / 50Hz.

PAD ASSIGNMENT & POSITION



UNIT : um

No.	NAME	X	Y
1	DIN	67.0	628.5
2	OSC2	-391.0	631.0
3	OSC1	-633.0	631.0
4	VT	-671.0	53.0
5	VDD	-671.0	-187.0
6	AC	-671.0	-396.0
7	A3	-671.0	-591.0
8	A4	-273.5	-628.5
9	A5	-98.5	-628.5
10	A6	671.0	-628.5
11	A7	671.0	-452.5
12	VSS	671.0	-277.5
13	T	671.0	-102.5
14	AT	671.0	138.5

* CHIP SIZE ~ 1.60 x 1.52 mm²

* IC substrate should be connected to VDD in PCB (PCB 上 IC 必須接 VDD)

*All specs and applications shown above subject to change without prior notice.

(以上電路及規格僅供參考,本公司得逕行修正)