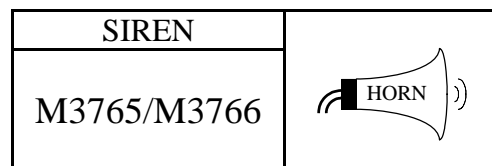




HORN/SIREN  
WITH SOFT CHIRP  
6 ALARM SOUNDS

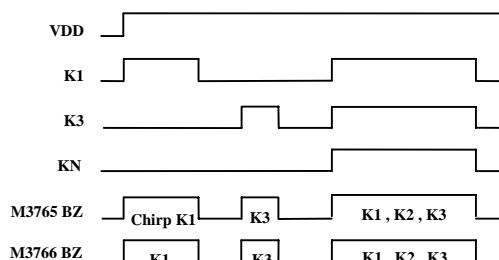
警報喇叭專用  
附啣聲  
6 種警報聲 IC



FEATURES 功能敘述

- K1 to K6 cascade.
- Level-hold operation.
- LED flash output.
- Soft chirp : 200ms

P/N	REMARK
M3765	6 Sounds with soft chirp
M3766	6 Sounds



APPLICATION 產品應用

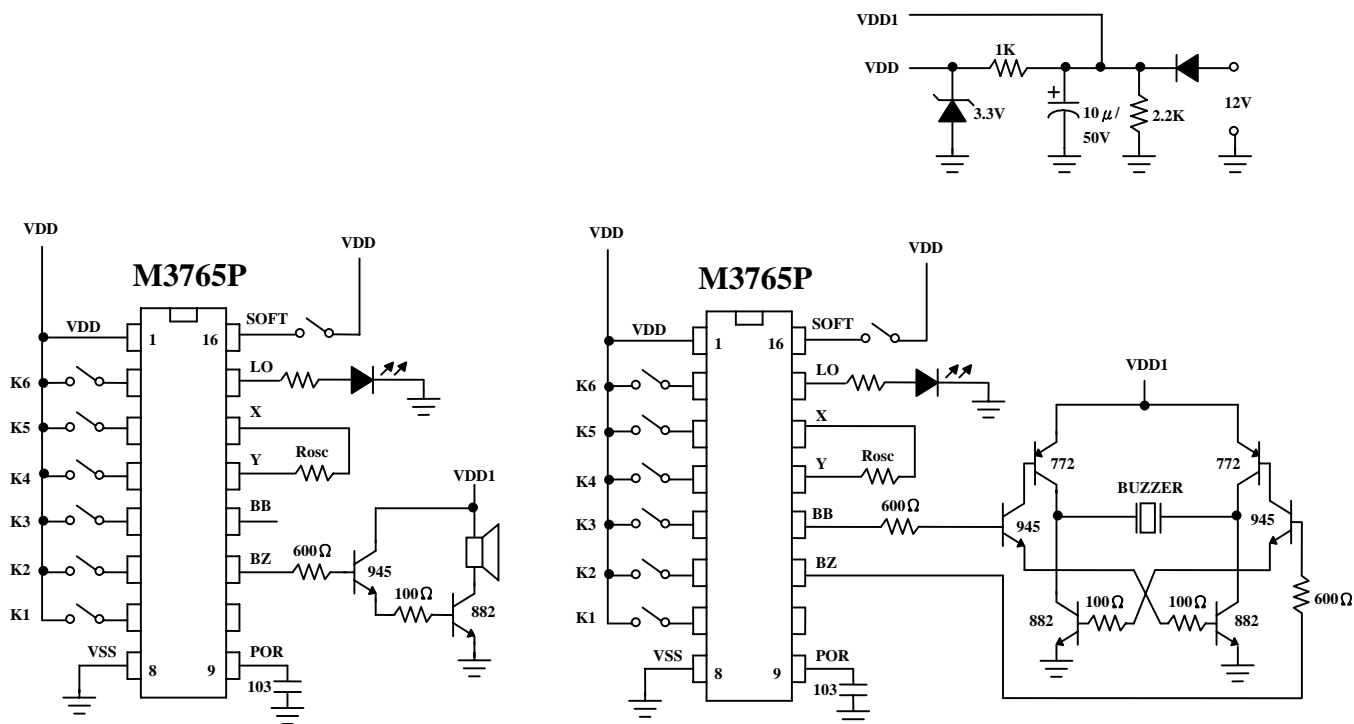
- Alarm system, Horn etc..

ELECTRICAL CHARACTERISTICS 電氣規格

( @V<sub>DD</sub>=3.5V unless otherwise specified )

Characteristics	Sym.	Min.	Typ.	Max.	Unit	REMARKS
工作電壓 Operating Voltage	V <sub>DD</sub>	—	3.5	4.9	V	
工作電流 Operating Current	I <sub>OP</sub>	—	0.1	0.5	mA	No load
推動電流 BZ Driving Current	I <sub>O</sub>	1	—	—	mA	@V <sub>DS</sub> =1V
推動電流 LO Driving Current	I <sub>OL</sub>	6	—	—	mA	@V <sub>DS</sub> =1.2V
振盪頻率 Oscillator Frequency	F <sub>OSC</sub>	—	128	—	KHz	External±30%, Rosc=120KΩ
工作溫度 Operating Temperature	Temp.	0	25	60	°C	

APPLICATION DIAGRAM 參考電路圖




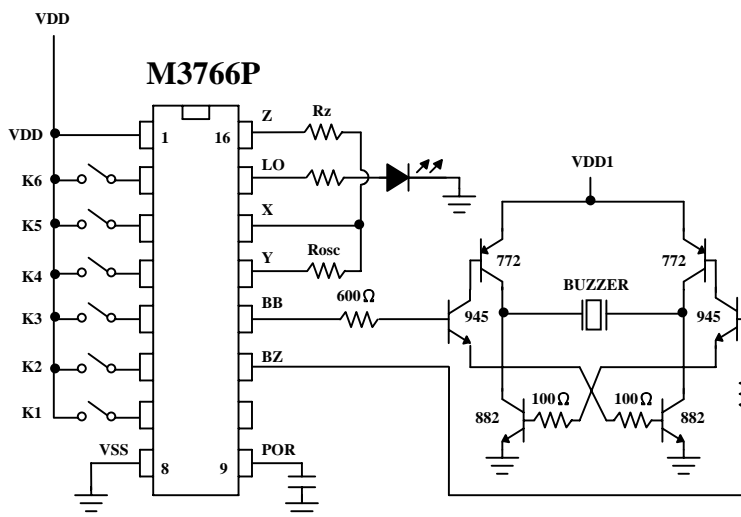
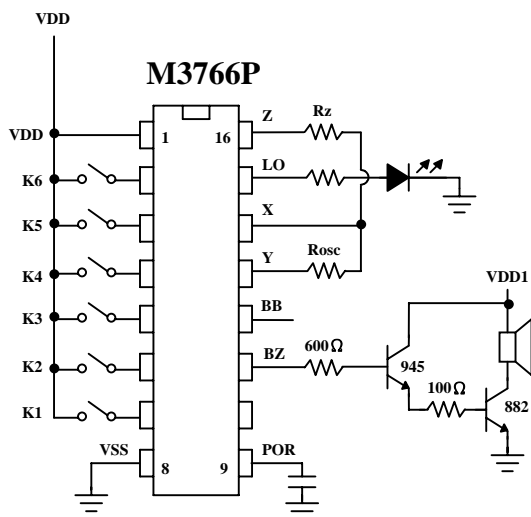
\* All specs and applications shown above subject to change without prior notice.  
( 以上電路及規格僅供參考,本公司得逕行修正 )



HORN/SIREN  
WITH SOFT CHIRP  
6 ALARM SOUNDS

警報喇叭專用  
附啣聲  
6 種警報聲 IC

SIREN	
M3765/M3766	



\* All specs and applications shown above subject to change without prior notice.  
( 以上電路及規格僅供參考,本公司得逕行修正 )