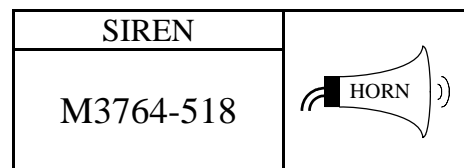




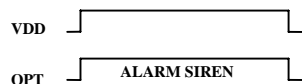
VDD CONTROL  
ALARM SOUND

電源控制  
警報聲 IC



**.FEATURES 功能敘述**

- Power on control.
- One programmable sound output.
- OPT : VDD = 1 sound  
OPEN = 1 sound with soft chirp  
Soft chirp = 1 sec.



**APPLICATION 產品應用**

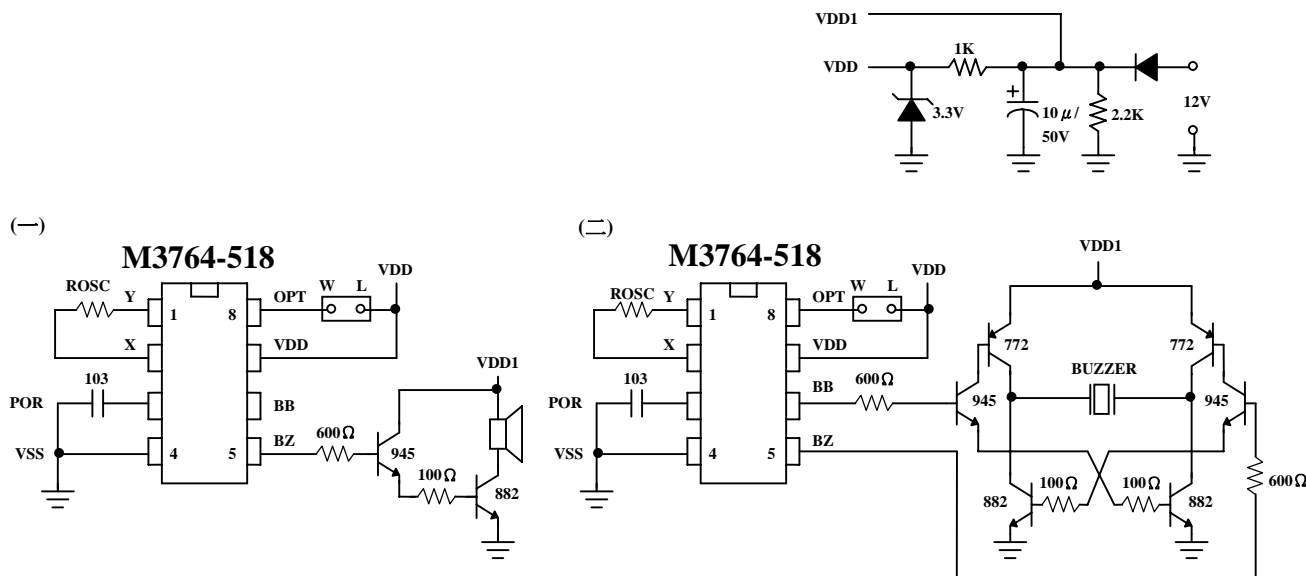
- Alarm system, Horn etc..

**ELECTRICAL CHARACTERISTICS 電氣規格**

( @V<sub>DD</sub>=3.5V unless otherwise specified )

Characteristics	Sym.	Min.	Typ.	Max.	Unit	REMARKS
工作電壓 Operating Voltage	V <sub>DD</sub>	—	3.5	5	V	
工作電流 Operating Current	I <sub>OP</sub>	—	0.1	0.5	mA	No load
推動電流 BZ Driving Current	I <sub>O</sub>	1	—	—	mA	@V <sub>DS</sub> =1V
推動電流 LO Driving Current	I <sub>OL</sub>	6	—	—	mA	@V <sub>DS</sub> =1.2V
振盪頻率 Oscillator Frequency	F <sub>OSC</sub>	—	256	—	KHz	External±30%
工作溫度 Operating Temperature	Temp.	0	25	60	°C	

**APPLICATION DIAGRAM 參考電路圖**



\* All specs and applications shown above subject to change without prior notice.

( 以上電路及規格僅供參考,本公司得逕行修正 )