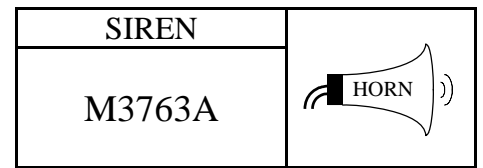




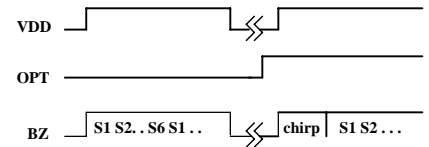
**HORN/SIREN
WITH SOFT CHIRP
6 ALARM SOUNDS**

警報喇叭專用
附唧聲
6種警報聲 IC



.FEATURES 功能敘述

- Six different sounds.
- MODE : continuous.
- OPT : OPEN = 6 sounds
VDD = 6 sounds with soft chirp
Soft chirp = 200ms
- Suffix : A → 6 Sounds cascade (OTP1 = VSS)
B → 4 Sounds cascade (OTP3 = VDD)
C → 1 Sound (OTP2 = VDD)



APPLICATION 產品應用

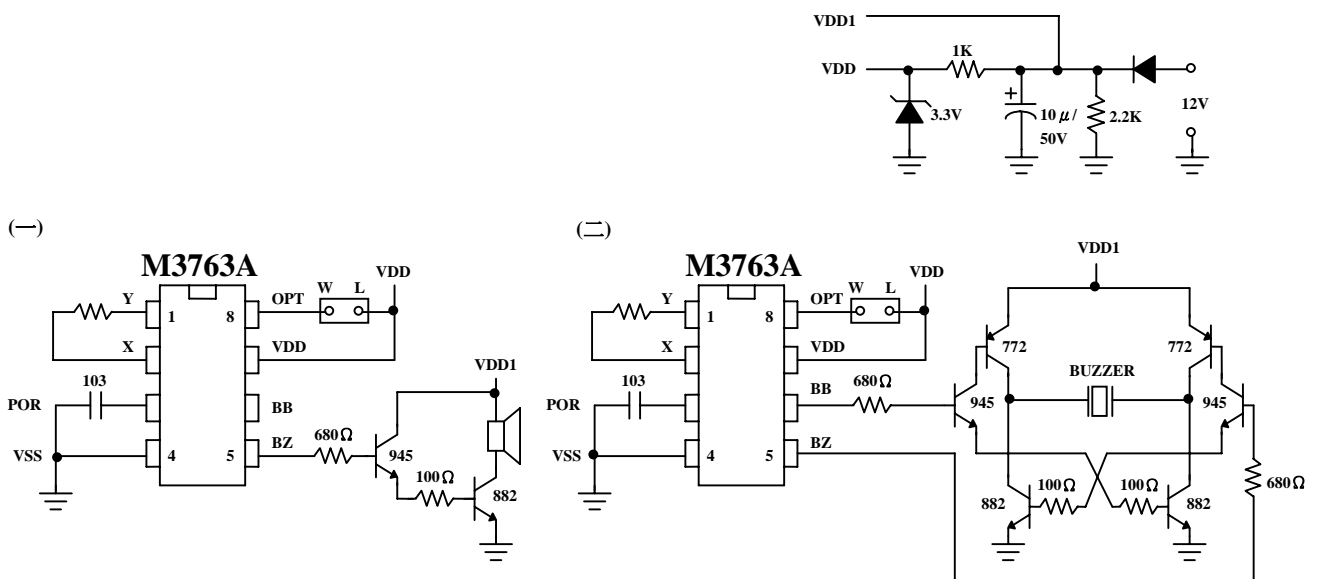
- Alarm system, Horn etc..

ELECTRICAL CHARACTERISTICS 電氣規格

(@V_{DD}=3V unless otherwise specified)

Characteristics	Sym.	Min.	Typ.	Max.	Unit	REMARKS
工作電壓 Operating Voltage	V _{DD}	—	3	3.5	V	
工作電流 Operating Current	I _{OP}	—	0.1	0.5	mA	No load
推動電流 BZ Driving Current	I _O	1	—	—	mA	@V _{DS} =1V
振盪頻率 Oscillator Frequency	F _{OSC}	—	80	128	KHz	External±30%, Rosc=180KΩ
工作溫度 Operating Temperature	Temp.	0	25	60	°C	

APPLICATION DIAGRAM 參考電路圖




* All specs and applications shown above subject to change without prior notice.
(以上電路及規格僅供參考,本公司得逕行修正)



HORN/SIREN
WITH SOFT CHIRP
6 ALARM SOUNDS

警報喇叭專用
附唧聲
6種警報聲IC

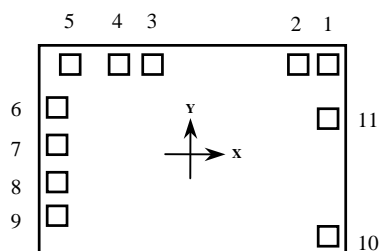
SIREN	
M3763A	

SOUND LIST

NO.	M3763A-1A	NO.	M3763A-1B	NO.	M3763A-1C
1	Standard Siren Sound	1	Standard Siren Sound	1	Standard Siren Sound
2	Code-alarm Sound	2	Code-alarm Sound		
3	Ray Gun Sound	3	Slut-Machine Sound		
4	Slut-Machine Sound	4	Euro-siren Sound		
5	Smoke-alariming Sound				
6	Euro-siren Sound				

NO.	M3763A-5A	NO.	M3763A-5B	NO.	M3763A-5C
1	Euro-siren sound (1)	1	Euro-siren sound (1)	1	Euro-siren sound (1)
2	Alarm Sound (1)	2	Alarm Sound (1)		
3	Euro-siren sound (2)	3	Standard Siren sound		
4	Standard Siren sound	4	Alarm Sound (2)		
5	Horn				
6	Alarm Sound (2)				

PAD ASSIGNMENT & POSITION



UNIT : um

No.	NAME	X	Y
1	INI	686.00	438.75
2	OPT1	500.50	438.75
3	VSS	-219.00	438.75
4	BZ1	-385.00	438.75
5	BZ2	-628.50	438.75
6	OPT3	-686.00	229.25
7	VDD	-686.00	42.25
8	OPT2	-686.00	-148.25
9	SOFT	-686.00	-320.75
10	Y	686.00	-440.00
11	X	686.00	189.25

* CHIP SIZE ~ 1.61 x 1.18 mm²

* IC substrate should be connected to VDD in PCB (PCB 上 IC 必須接 VDD)