




SIREN		
M3740B		

4 SIREN

4 種警報聲 IC

FEATURES 功能敘述

- 4 programmable sound outputs.
- LED blinking output.
- Priority : K1>K2>K3>K4.

KEY	M3740B
K1	ALARM
K2	POLICE
K3	FIRE
K4	AMBULANCE

APPLICATION 產品應用

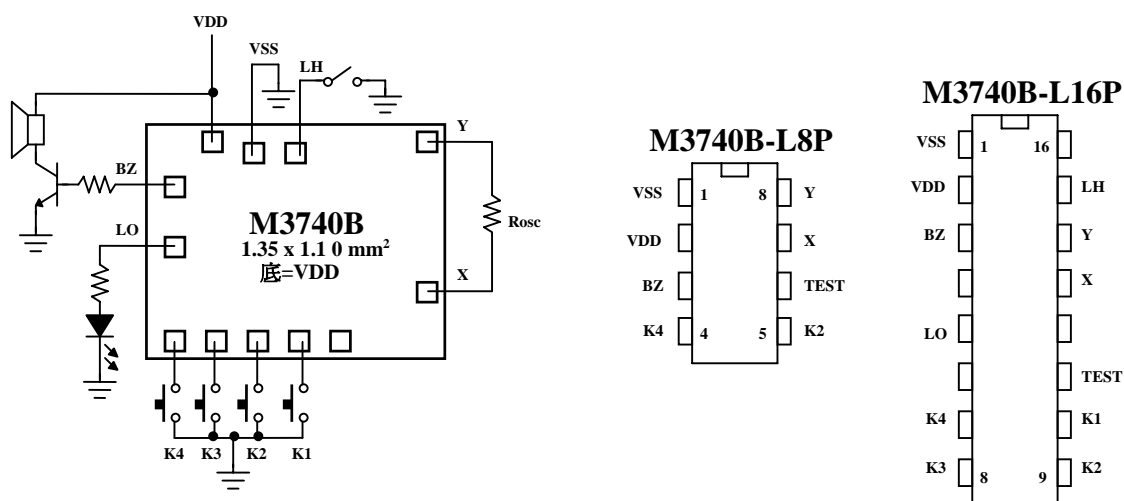
- Alarm system, toys etc..

ELECTRICAL CHARACTERISTICS 電氣規格

(@V_{DD}=3V unless otherwise specified)

Characteristics	Sym.	Min.	Typ.	Max.	Unit	REMARKS
工作電壓 Operating Voltage	V _{DD}	—	3	4.5	V	
工作電流 Operating Current	I _{OP}	—	0.1	0.5	mA	No load
靜態電流 Quiescent Current	I _{SB}	—	1	5	μA	
推動電流 BZ Driving Current	I _O	1	—	—	mA	@V _{DS} =1V
推動電流 LO Driving Current	I _{OL}	2	—	—	mA	@V _{DS} =1.2V
振盪頻率 Oscillator Frequency	F _{OSC}	—	128	—	KHz	External±30%, Rosc=130KΩ
工作溫度 Operating Temperature	Temp.	0	25	60	°C	


APPLICATION DIAGRAM 參考電路圖



*All specs and applications shown above subject to change without prior notice.

(以上電路及規格僅供參考,本公司得逕行修正)

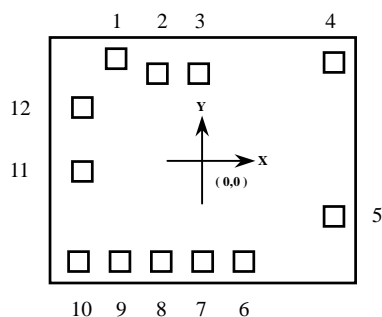


SIREN	
M3740B	

4 SIREN

4 種警報聲 IC

PAD ASSIGNMENT & POSITION



UNIT : um

No.	NAME	X	Y
1	VDD	-347.25	426.25
2	VSS	-177.25	371.25
3	LH	-5.25	371.25
4	X	550	412.5
5	Y	550	-226.75
6	TEST	183.5	-427.5
7	K1	11.5	-427.5
8	K2	-160.5	-427.5
9	K3	-332.5	-427.5
10	K4	-504.5	-427.5
11	LO	-496.5	-50.25
12	BZ	-496.5	218.25

* CHIP SIZE ~ 1.35 x 1.10 mm²

* IC substrate should be connected to VDD in PCB (PCB 上 IC 必須接 VDD).

*All specs and applications shown above subject to change without prior notice.

(以上電路及規格僅供參考,本公司得逕行修正)