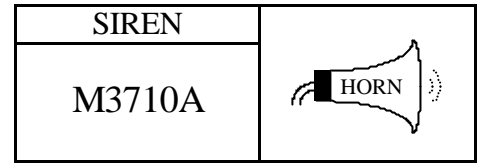




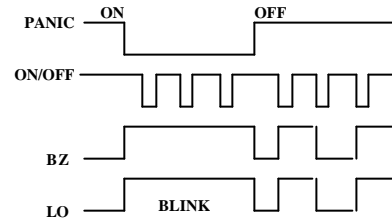
ON/OFF
SIREN

警報聲 IC - 1 聲



FEATURES 功能敘述

- Alarm siren sound.
- ON/OFF : toggle switch.
- PANIC : continuous.
- LO : 2 Hz LED flash output.



APPLICATION 產品應用

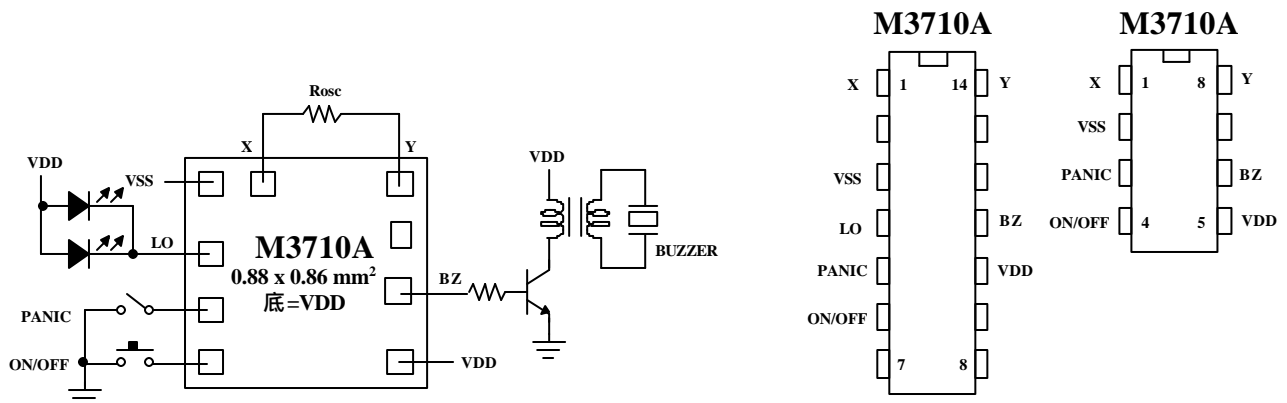
Alarm system.

ELECTRICAL CHARACTERISTICS 電氣規格

(@ $V_{DD}=3V$ unless otherwise specified)

Characteristics	Sym.	Min.	Typ.	Max.	Unit	REMARKS
工作電壓 Operating Voltage	V_{DD}		3	3.5	V	
工作電流 Operating Current	I_{OP}		0.1	0.5	mA	No load
靜態電流 Quiescent Current	I_{SB}		1	5	μA	
推動電流 BZ Driving Current	I_O	10	20		mA	@ $V_{DS}=1.2V$
推動電流 LO Driving Current	I_{OL}	2			mA	@ $V_{DS}=1V$
振盪頻率 Oscillator Frequency	F_{OSC}		200		KHz	External $\pm 30\%$, $R_{osc}=120K$
工作溫度 Operating Temperature	Temp.	0	25	60		

APPLICATION DIAGRAM 參考電路圖




*All specs and applications shown above subject to change without prior notice.
(以上電路及規格僅供參考,本公司得逕行修正)

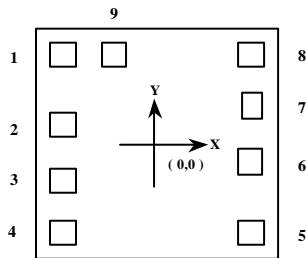


ON/OFF
SIREN

警報聲 IC - 1 聲

SIREN	
M3710A	

ASSIGNMENT & POSITION



UNIT : um

No.	NAME	X	Y
1	VSS	-316	303
2	LO	-316	64.5
3	PANIC	-316	-129
4	ON/OFF	-316	-306
5	VDD	316.25	-306
6	BZ	316.25	-66.5
7	TEST	316.25	131.75
8	Y	316.25	303
9	X	-139	303

* CHIP SIZE ~ 0.88 x 0.86 mm²

* IC substrate should be connected to VDD in PCB (PCB 上 IC 必須接 VDD)